

Capo[®]

ACE1

INSTRUCTION MANUAL



CD15826



感謝購買了這款Capo[®] ACE1 模型玩具產品
使用前請詳盡閱讀本說明書，謝謝您的支持！

警示

1. 爲了確保出色的產品性能體驗，請仔細閱讀本說明書裝配說明。
2. 本說明書適用於年滿16周歲用戶使用，請按照本說明步驟規範操作和裝配產品。
3. 本產品包含金屬材質零件，請謹慎避免尖銳物體可能損傷皮膚，造成不必要的傷害。
4. 正確選配和使用您的裝配工具，請留意本說明書所建議的必要性工具選項。
5. 本產品裝配完成後將涉及第三方遙控器、動力設備、電池，油漆等產品器材。請購買正規廠家生產的合格產品，按照說明書建議規格配合使用。Capo對此不做任何保證和擔保。
6. 本產品使用第三方電池時不可長時間暴露高溫下及火源附近，以免造成對產品和人身傷害。
7. 本產品含有微小零件，請合理放置，避免兒童觸及和誤食。
8. 任何因自身疏忽操作不當和擅自改造所導致的任何形式的損害，Capo公司將不負任何責任。

信息

本說明書中的產品示意插圖僅用作講解之目的，與實物表現可能略有不同。僅供參考。
未來產品任何修改和更新，將在官方網站另行公布。<http://www.caporacing.com>

Capo[®] 公司對本產品持有最終解釋權

Thank you for purchasing Capo[®] ACE1 Model product.

WARNING

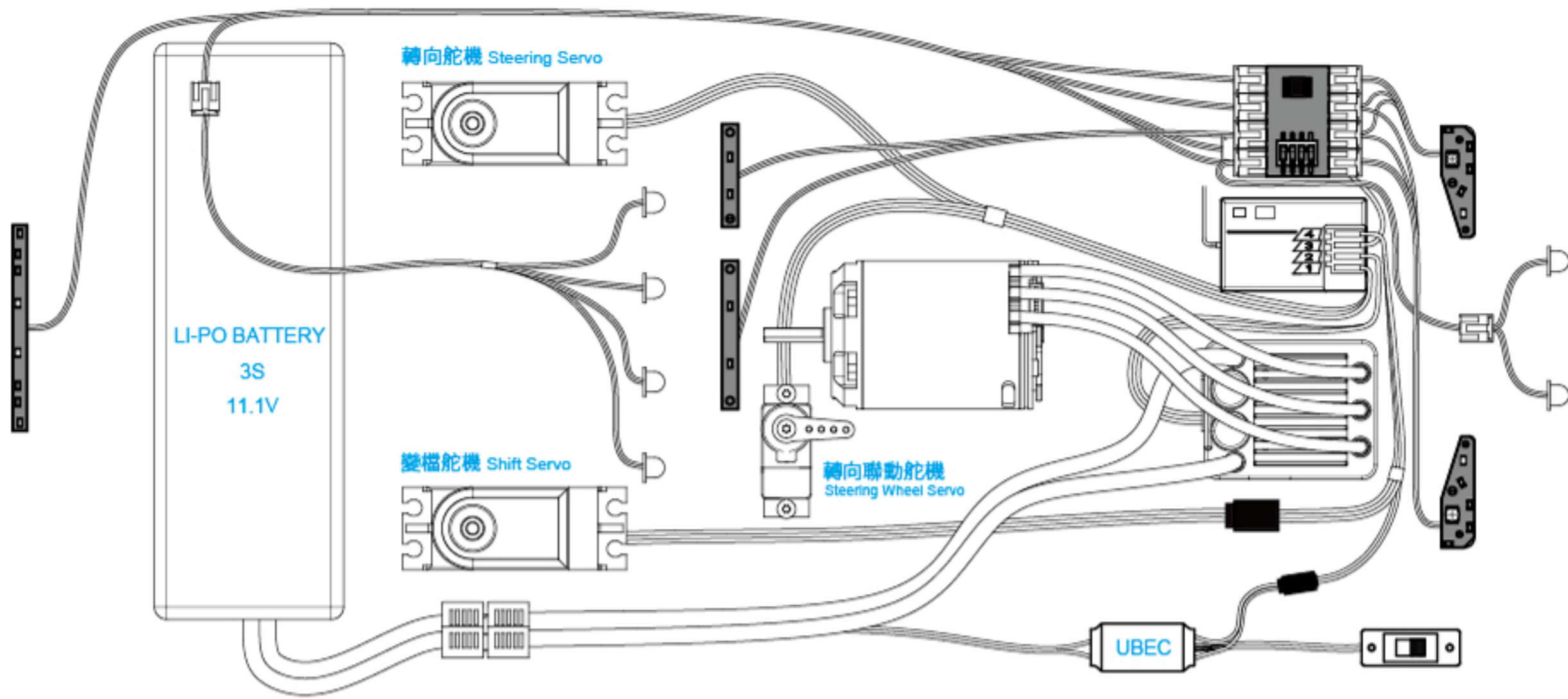
1. To experience our superb product, please read this manual very carefully.
2. Our product is designed and recommended for the age over 16.
3. This product contains metal parts with sharp edge which may cause harm, please assemble the model carefully.
4. Please use proper tools during assembly and note tips in the manual.
5. Painting and additional electronics purchase are necessary such as radio, receiver, servos, motor, ESC, battery and charger. Capo will not be responsible for those parts and its performance.
6. Keep the battery away from fire and high temperature environment, or it may cause damage.
7. This model contains small parts, please keep them away from children.
8. Capo does not take responsibility for the consequences caused by any improper operate or improper modify.

NOTICE

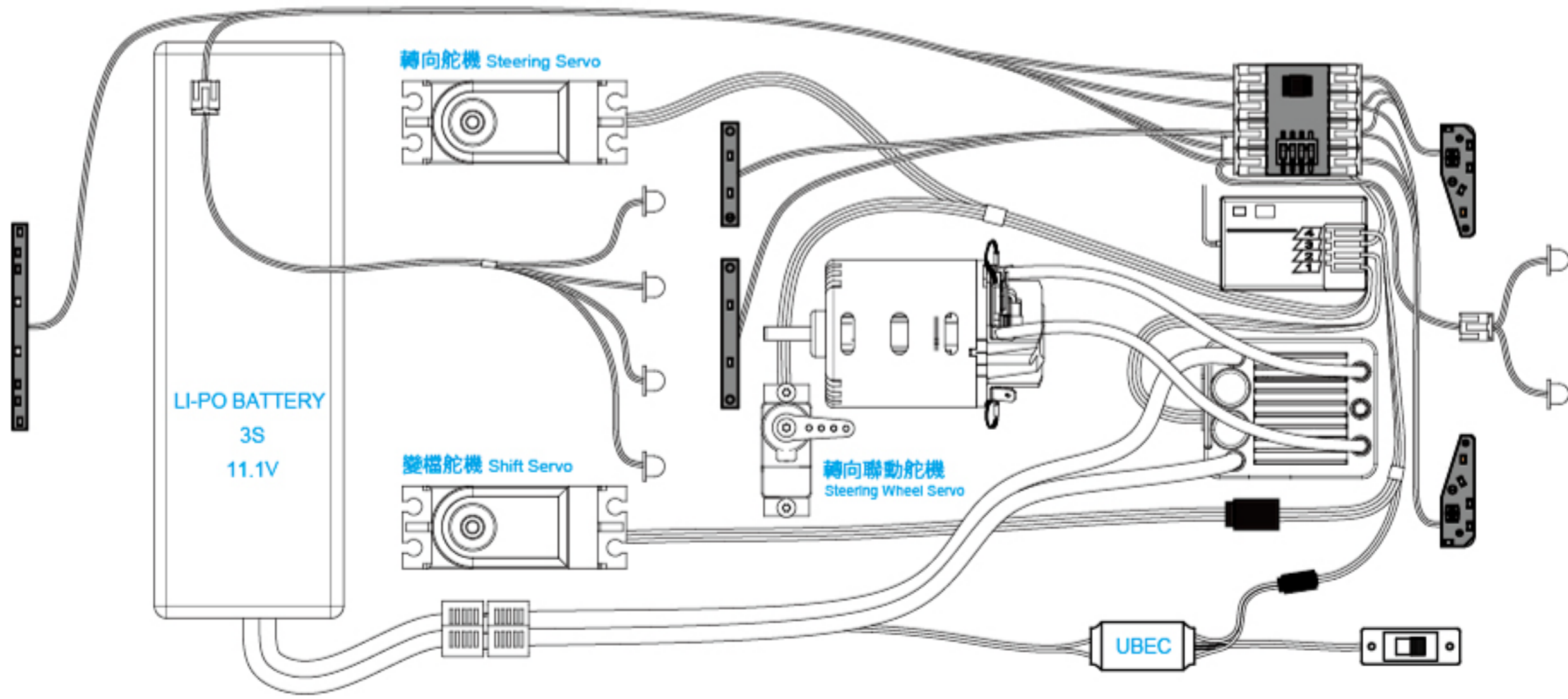
The drawing in this manual is for the assemble instruction; it may different from the actual products, just for reference.

For more information and future update, please visit our website:<http://www.caporacing.com>

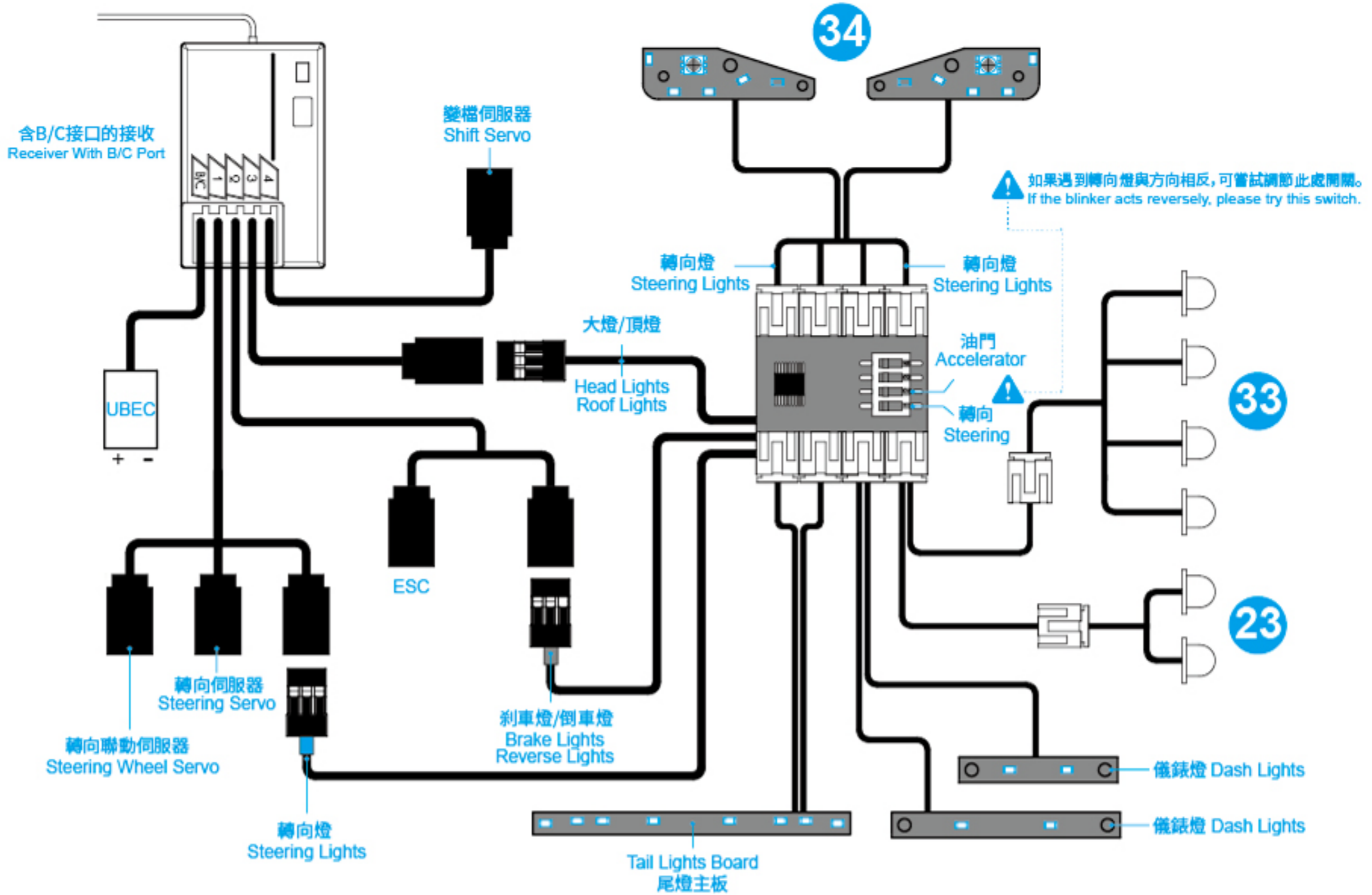
Capo[®] KEEPS THE FINAL INTERPRETATION



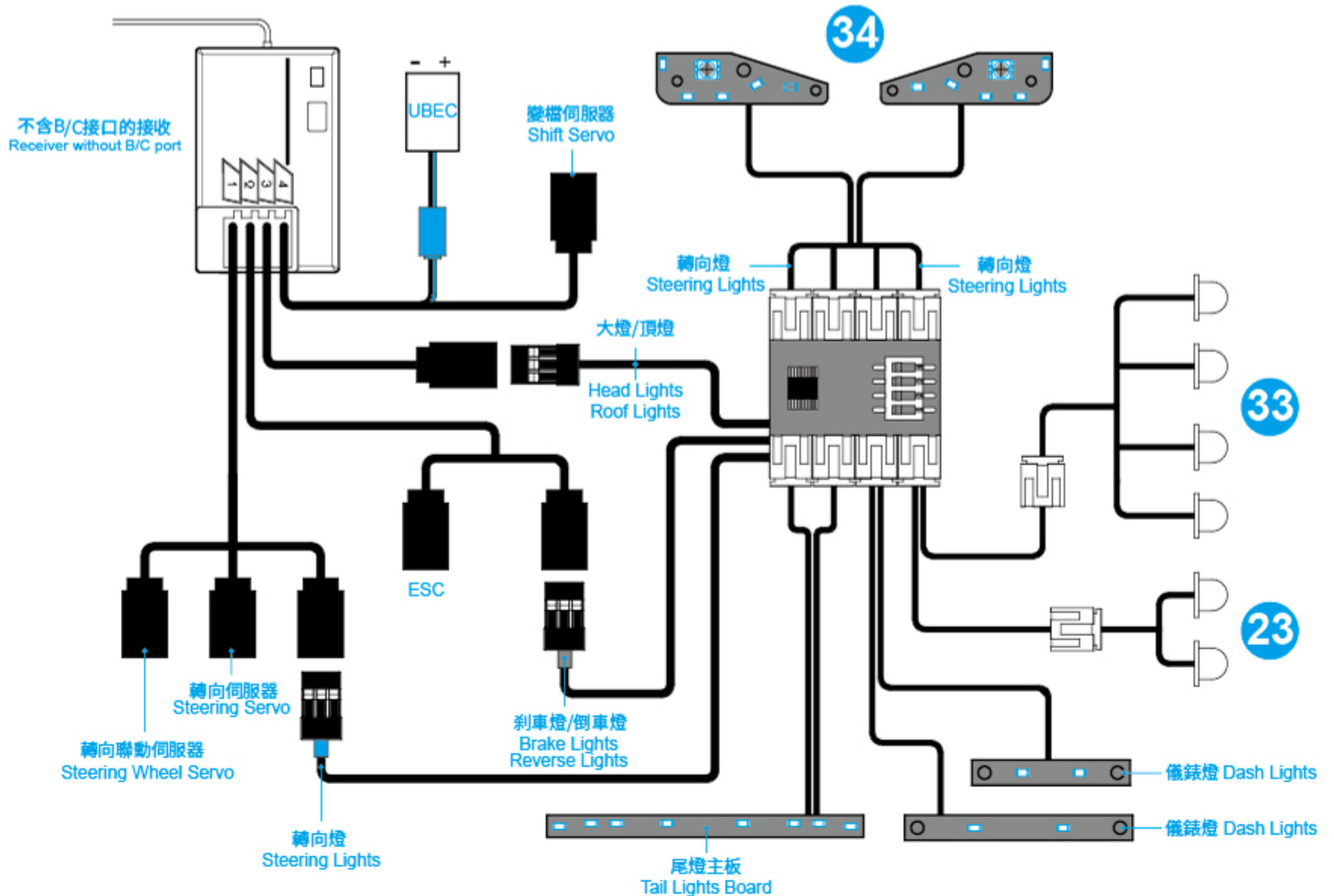
有感無刷電路圖
SENSORED MOTOR



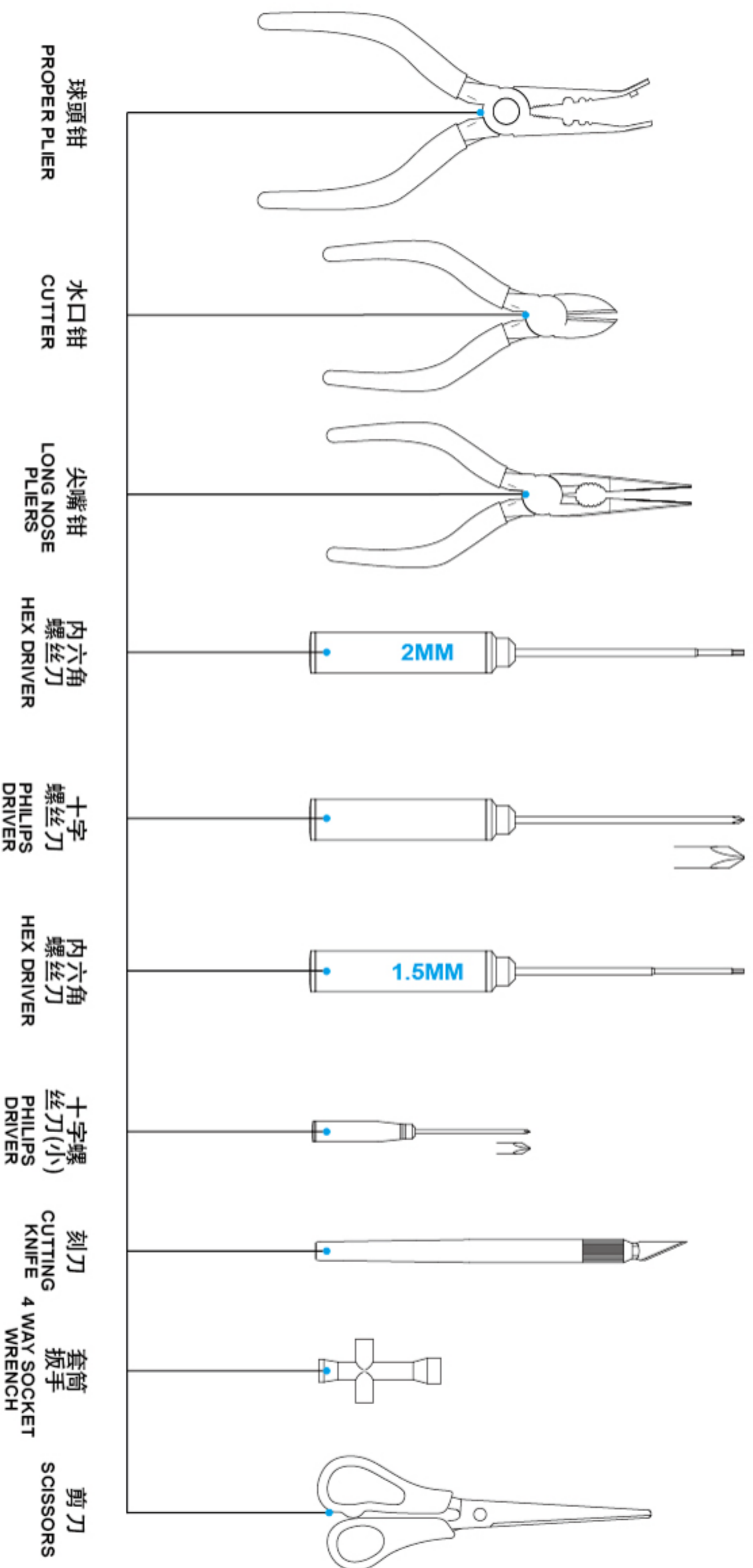
有刷電路圖
BRUSH MOTOR

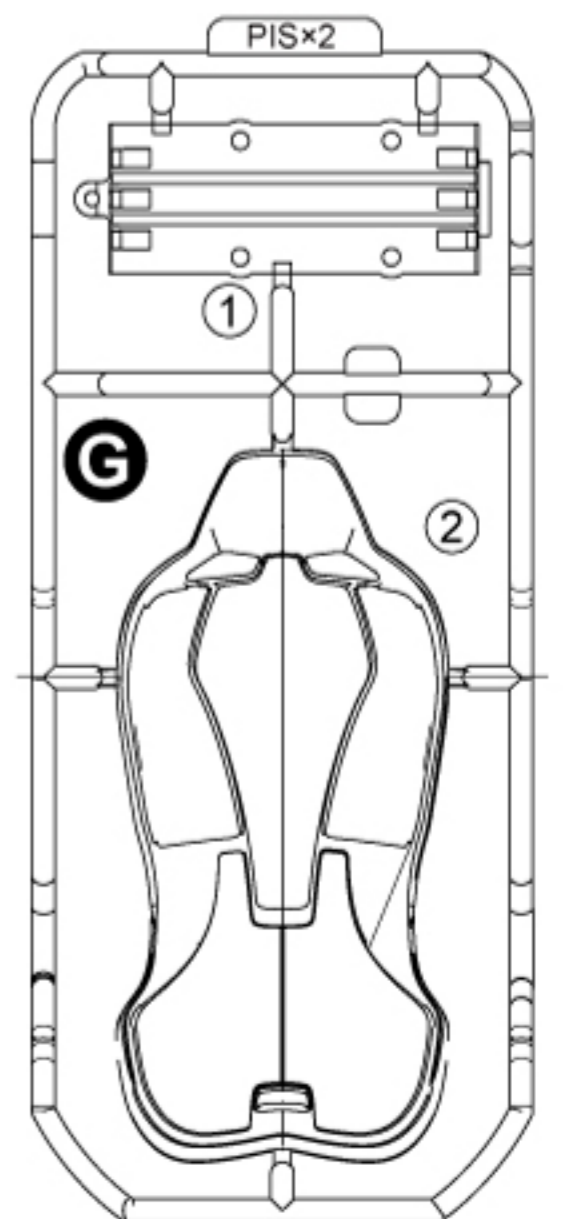
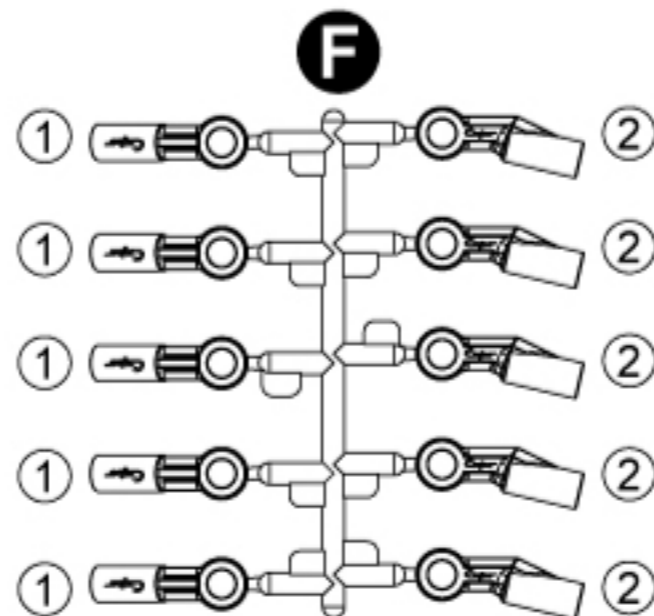
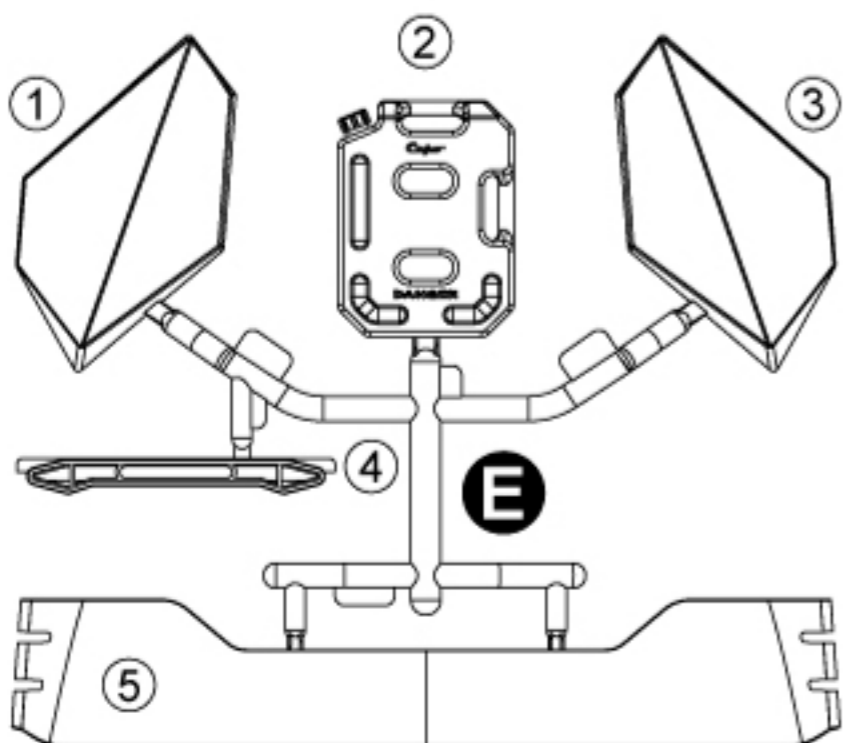
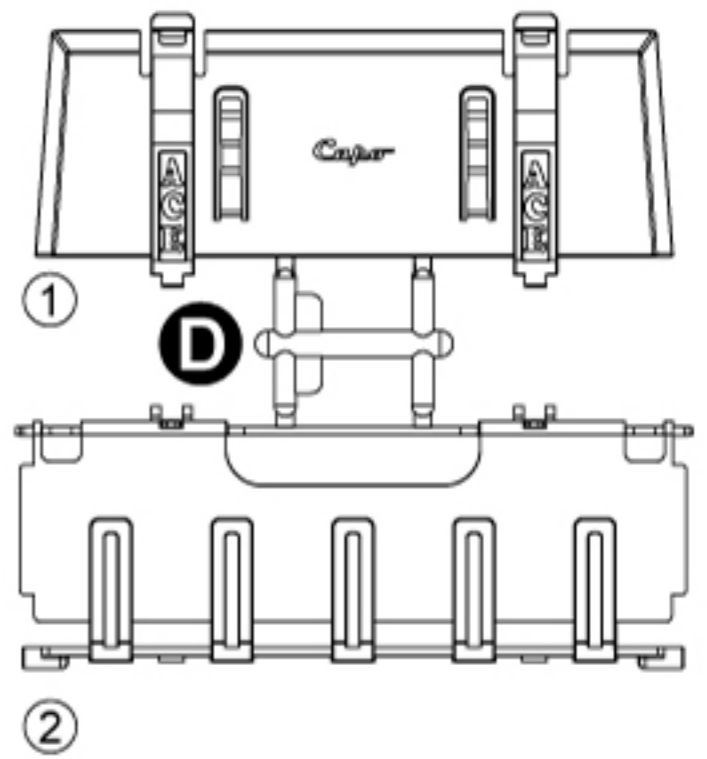
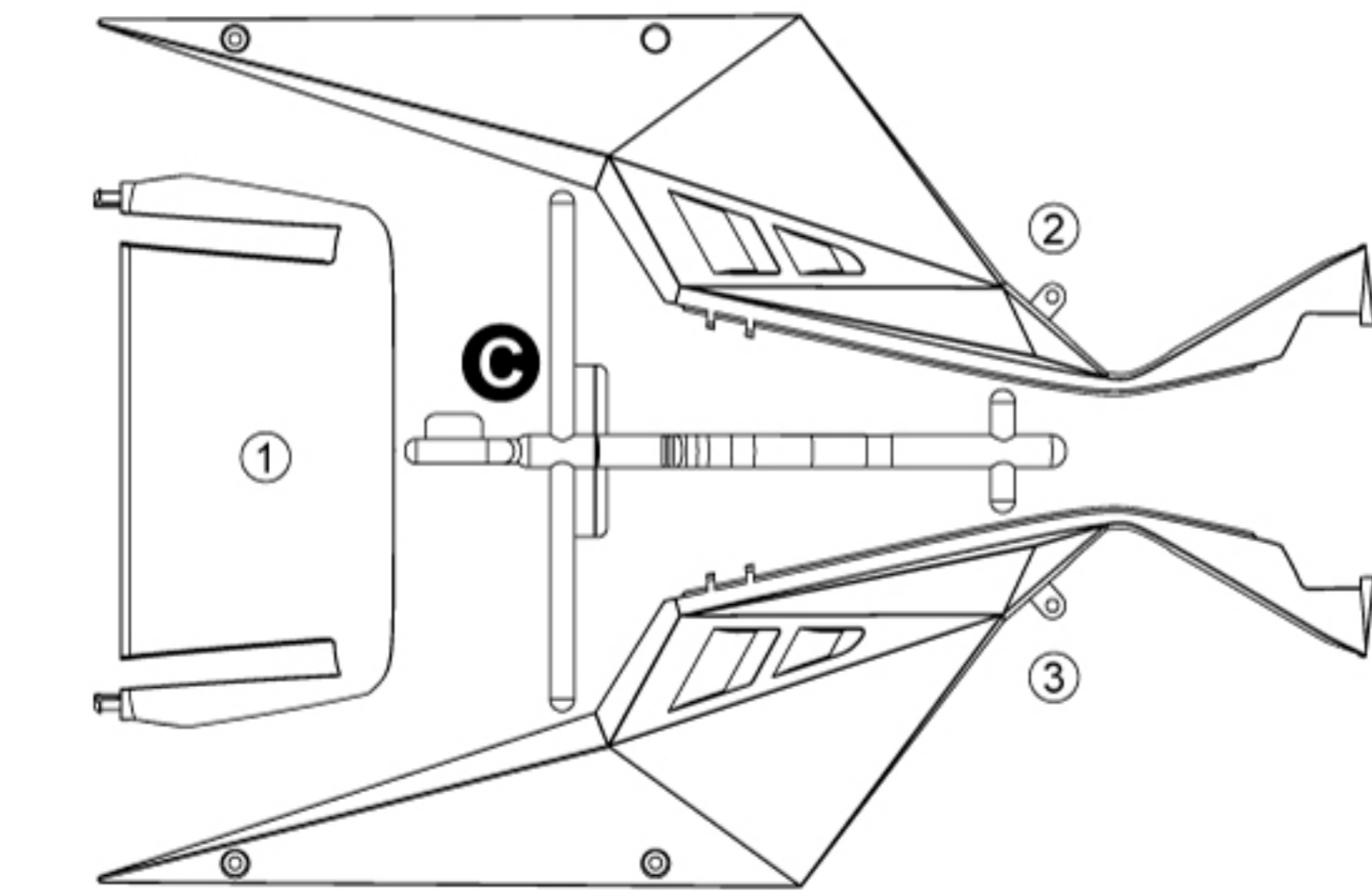
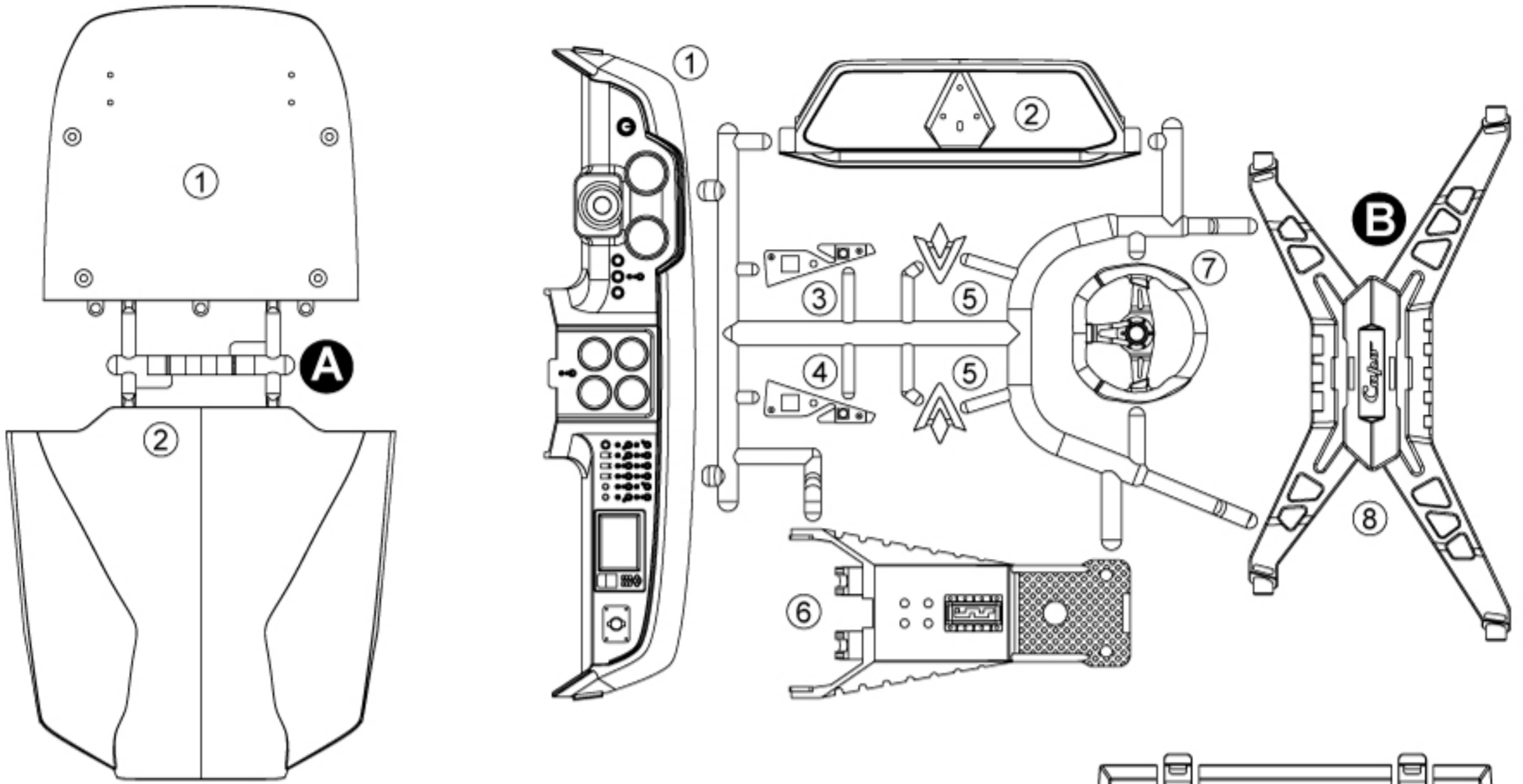


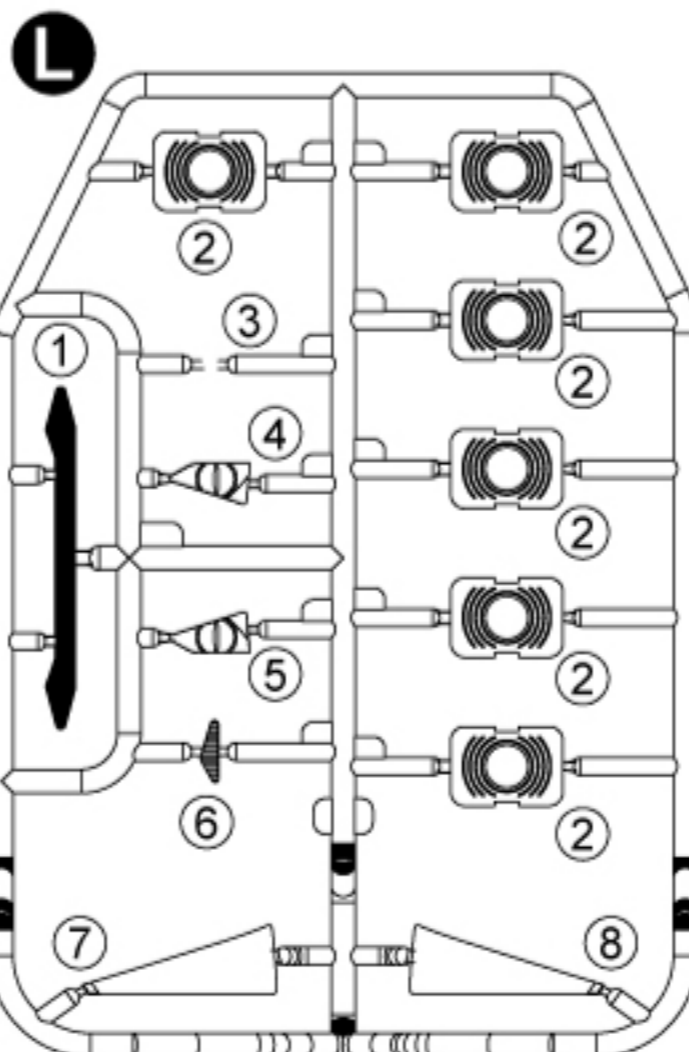
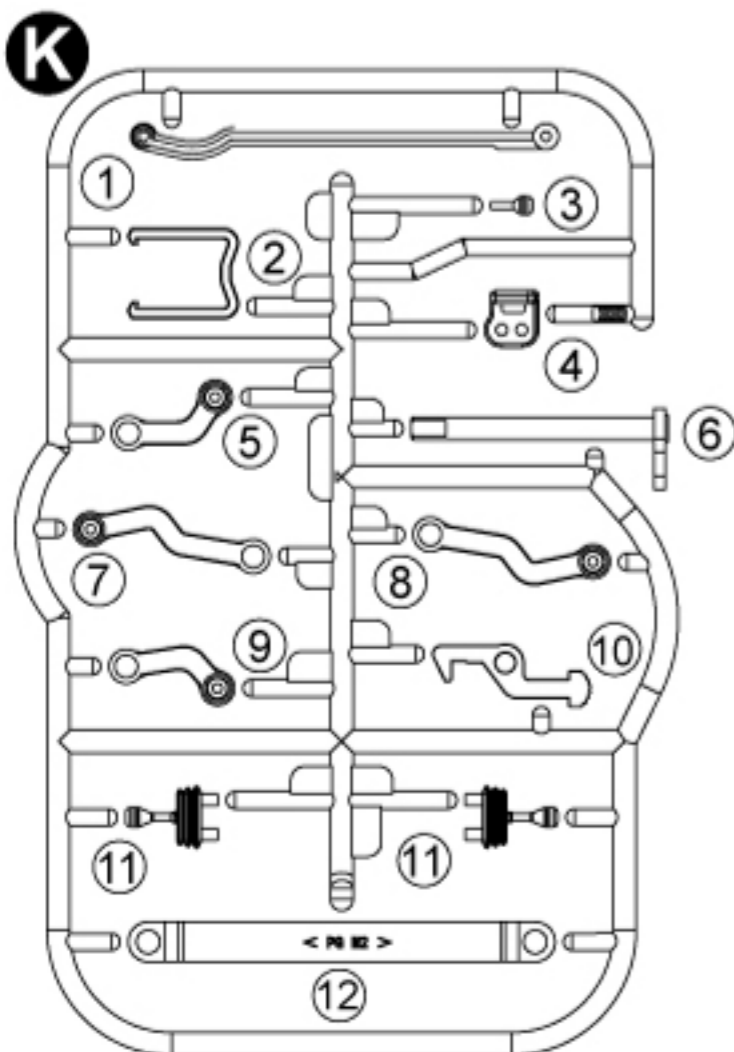
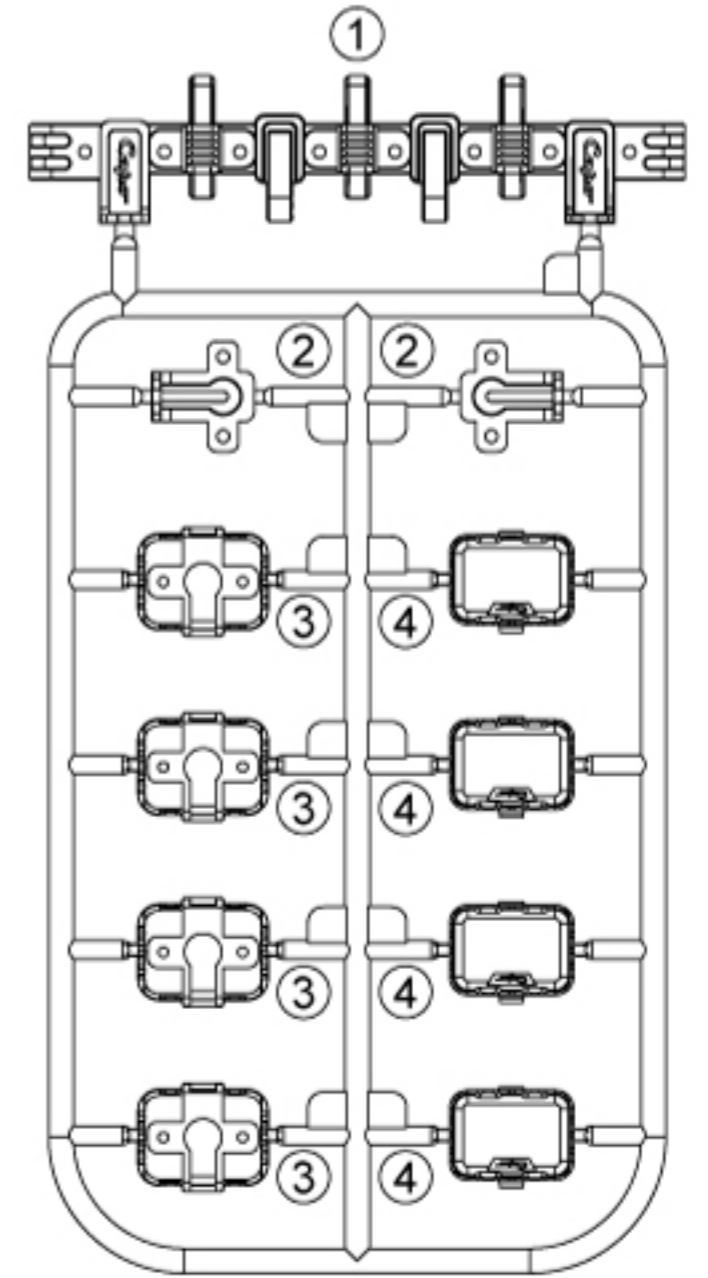
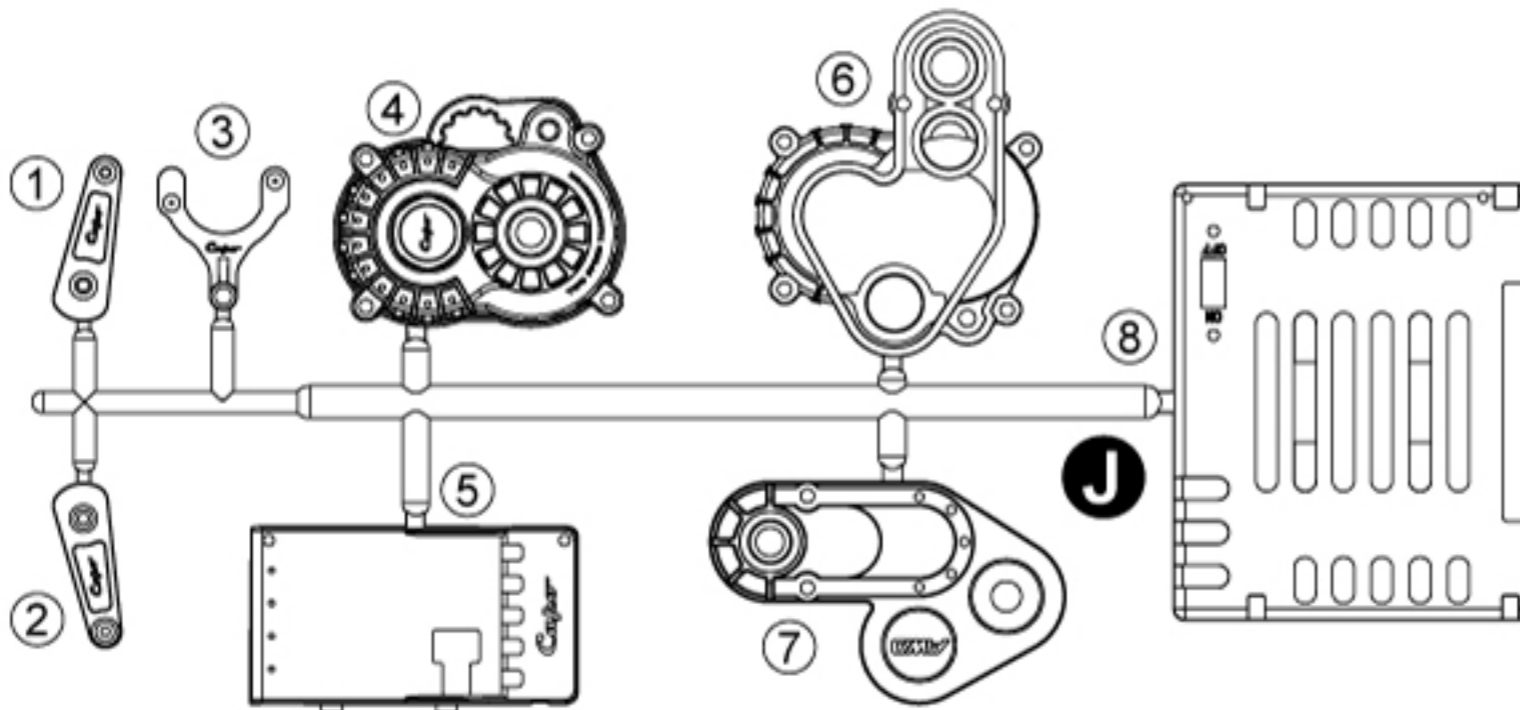
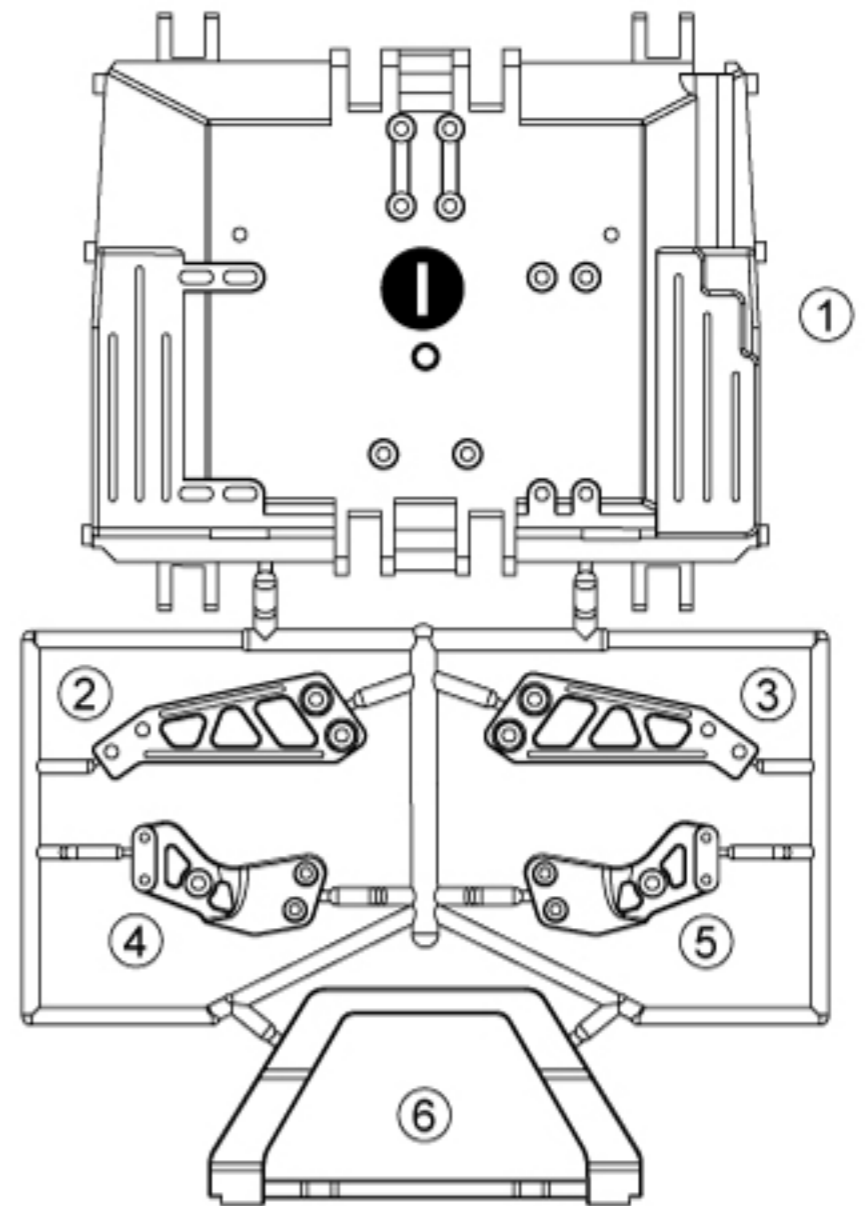
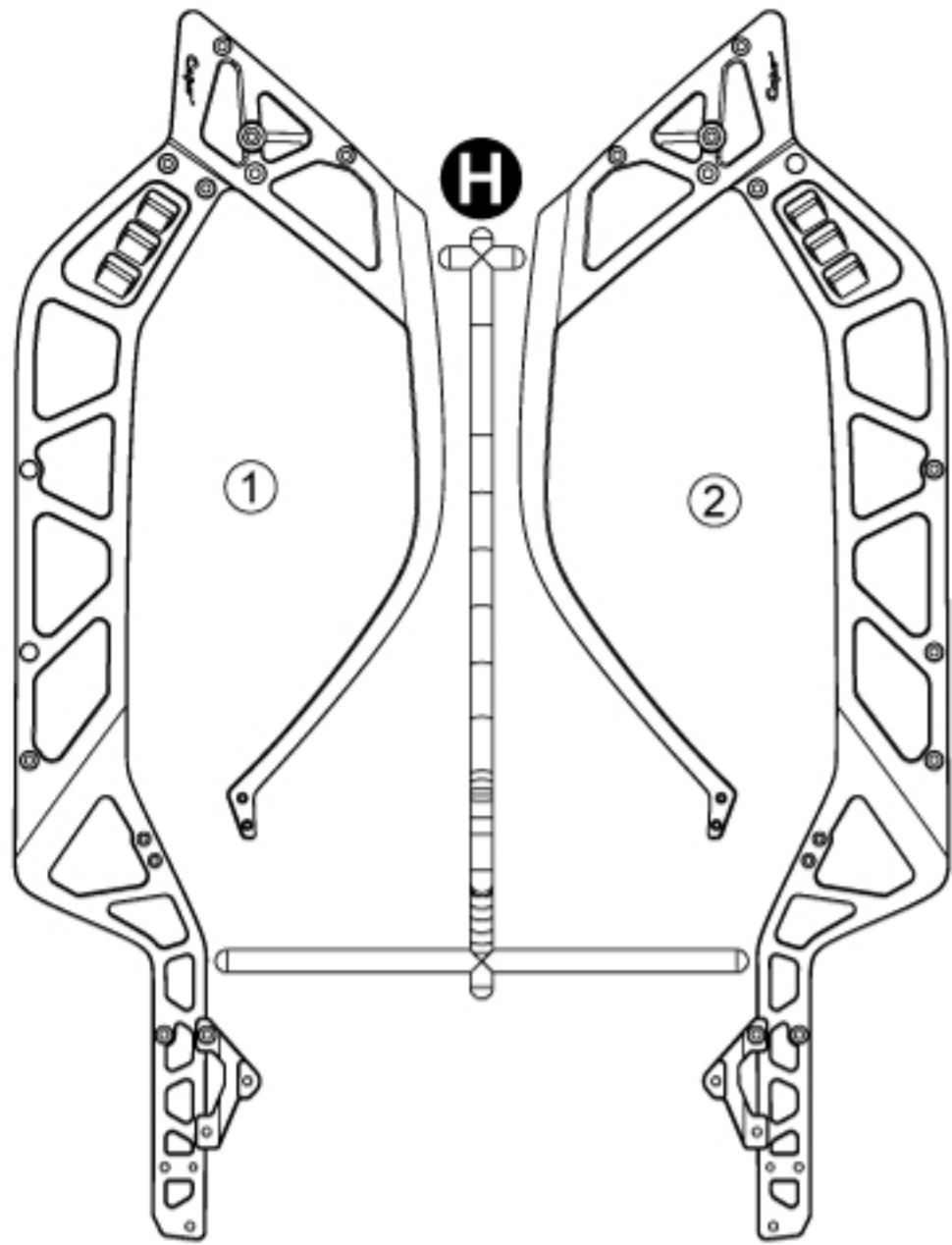
四通道接收機與燈組接線 4 CHANNEL TRANSMITTER & LIGHTS



必要的工具 NECESSARY TOOLS







Pin
2×8mm

EK
... Φ4mm

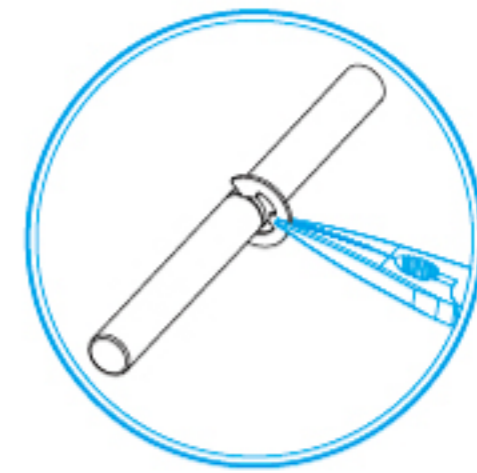
PS.....
EK: E型卡簧, 請使用尖嘴鉗壓入或拔出。
EK: Use long nose pliers to insert E ring or pull out.

G1...
29T

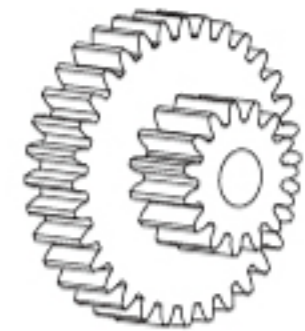
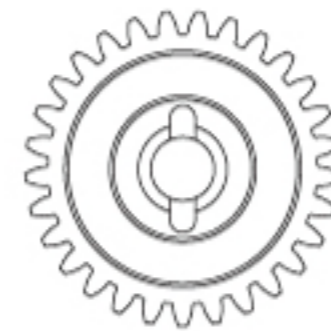
AX1

Pin
2×12mm

G2
15/32T



1:1 SIZE

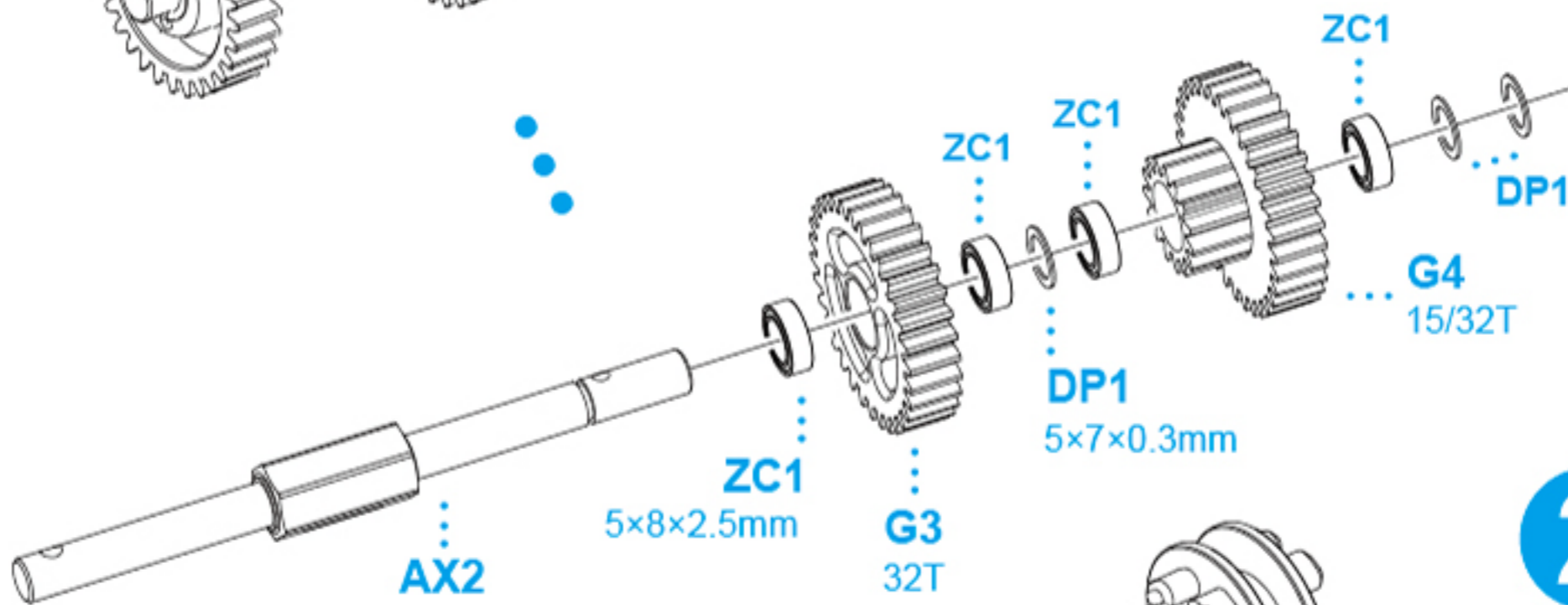


G1

G2

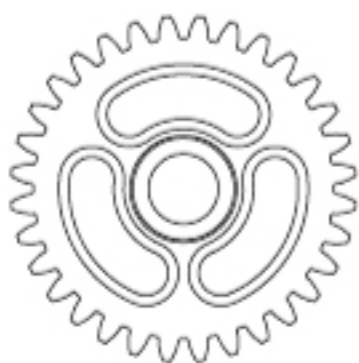
1

EK
Φ4mm



1:1 SIZE

2



G3



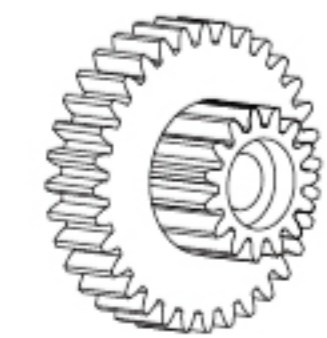
G4

EK
Φ4mm

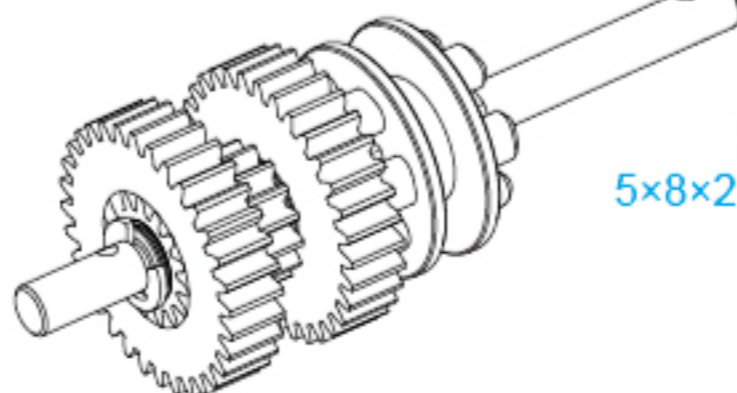
BX1

ZC1

DP1
5×7×0.3mm



G4



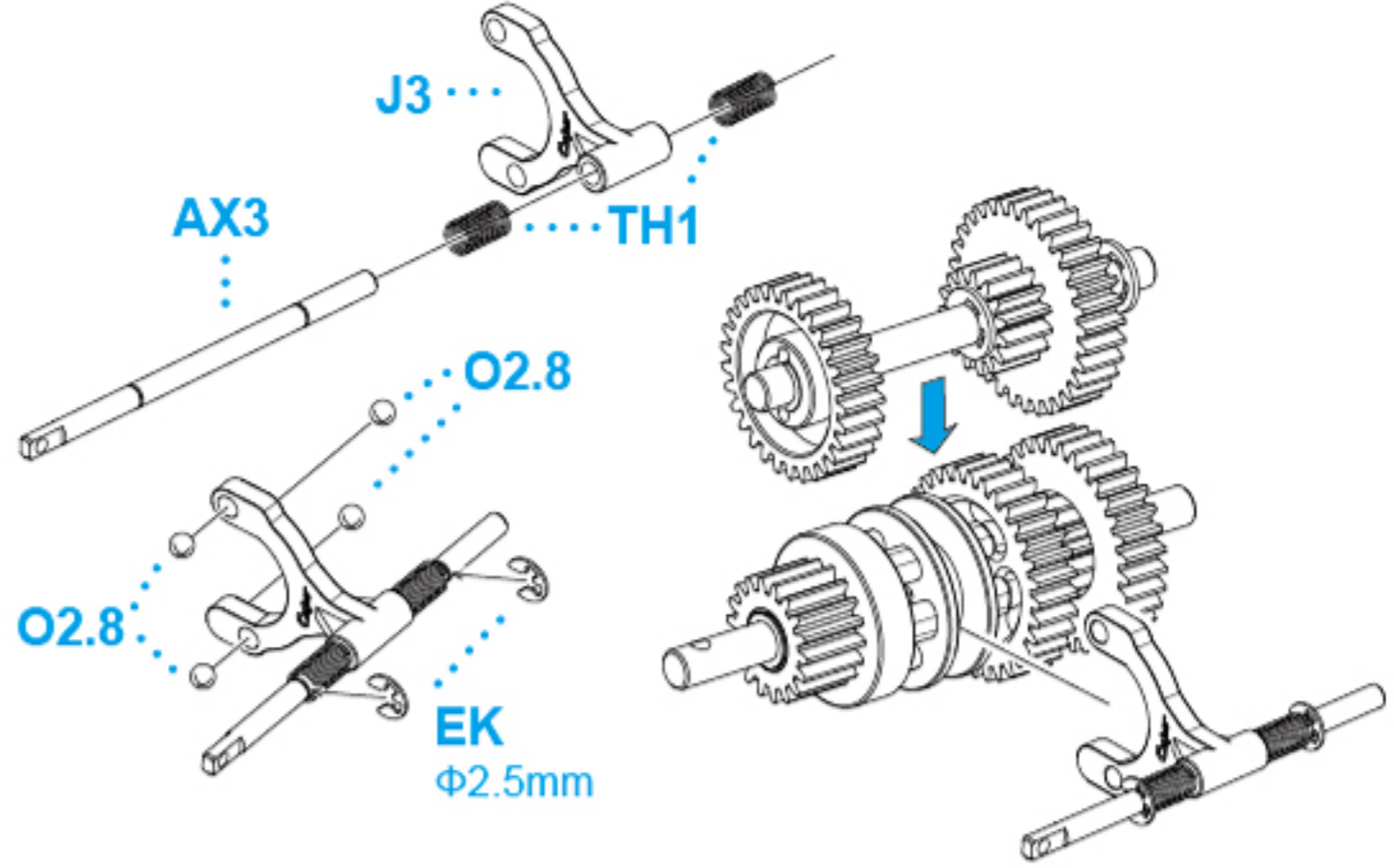
G5
18T

ZC1
5×8×2.5mm

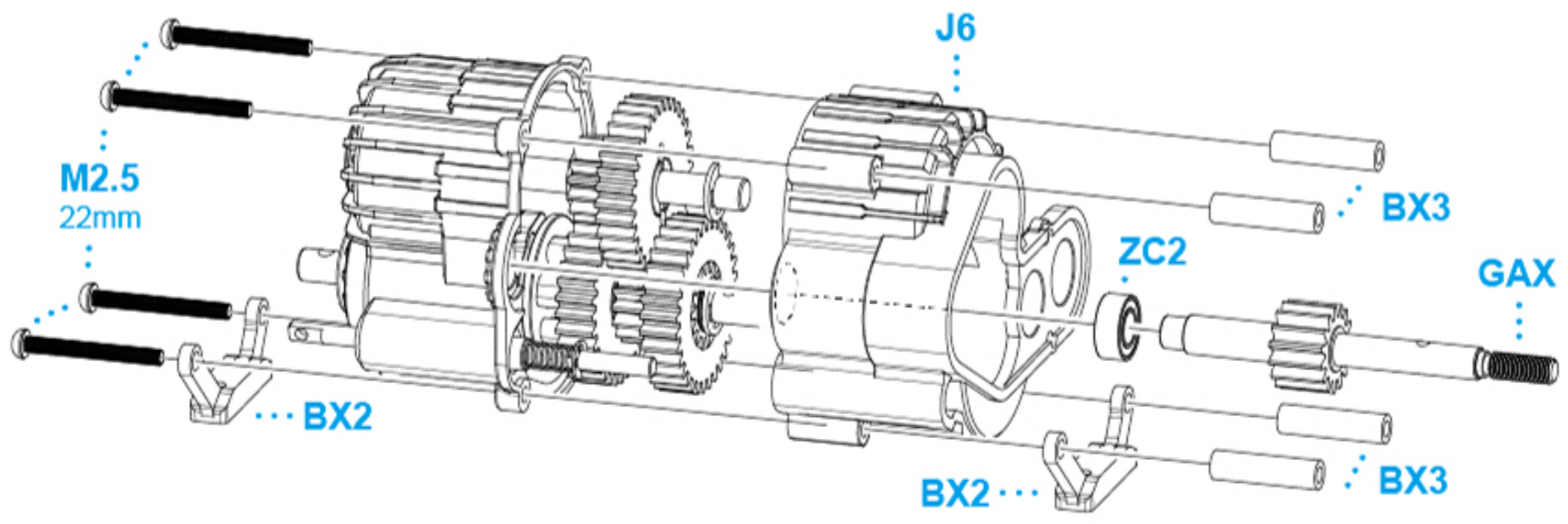
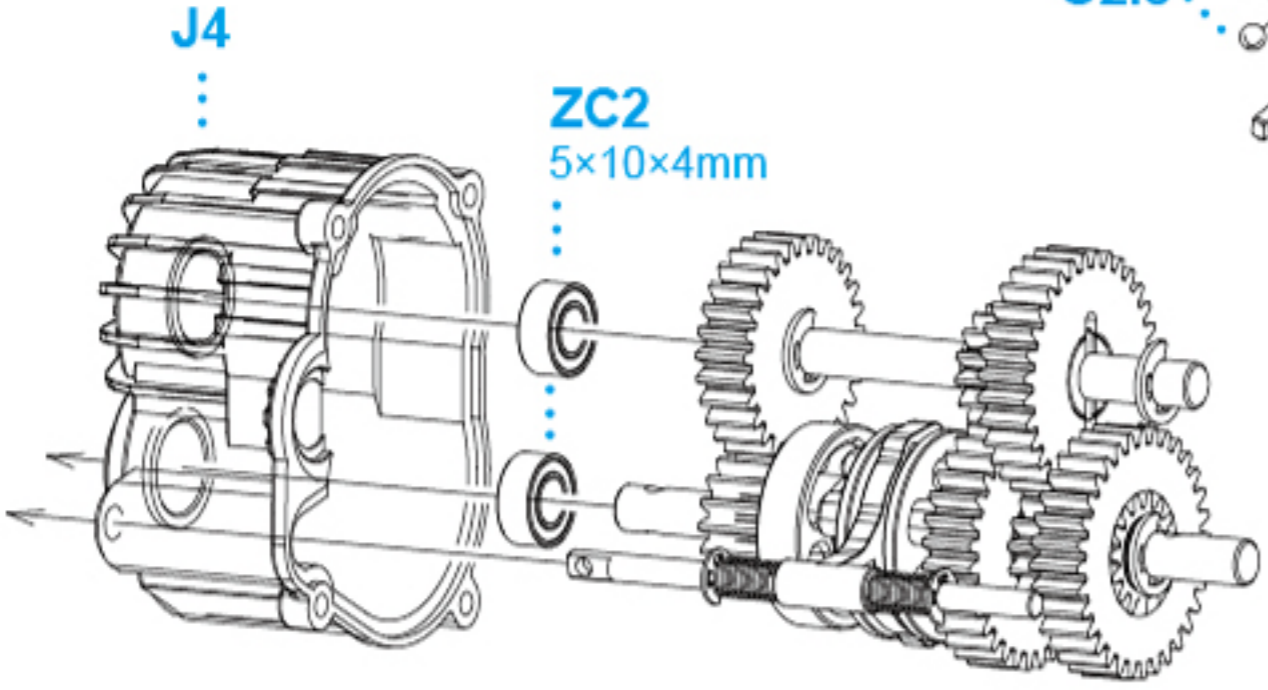
...1...

PS.....
 使用潤滑脂對齒輪和換檔部件進行潤滑保護。
 Apply good amount of gear grease for smooth shifting.

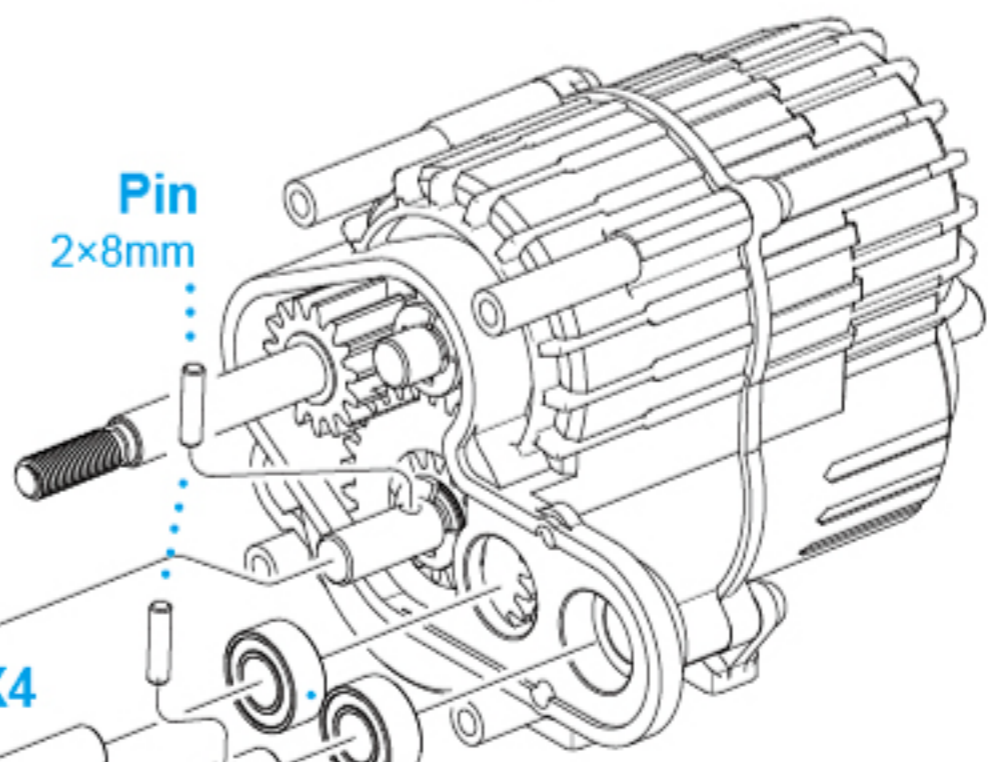
3



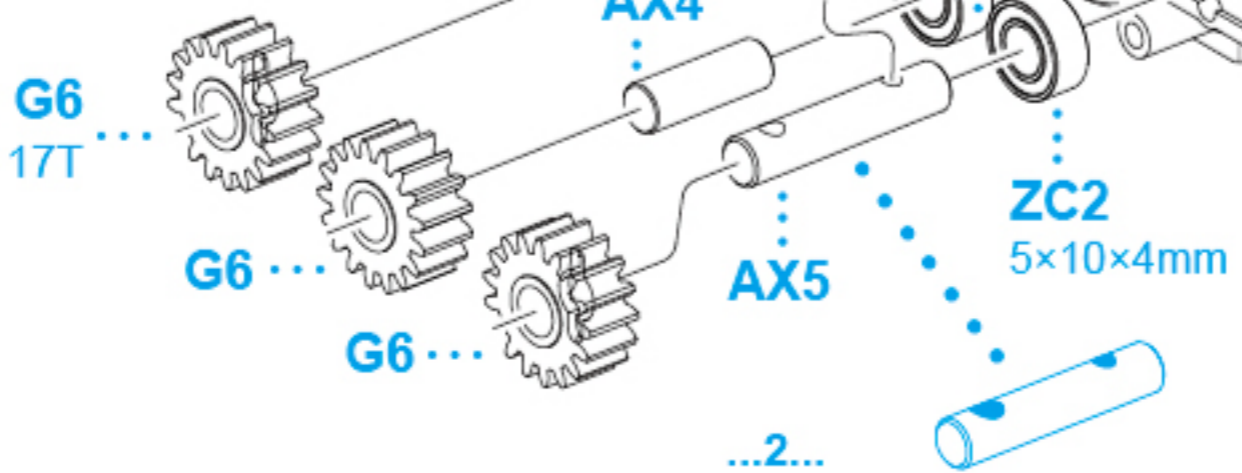
4

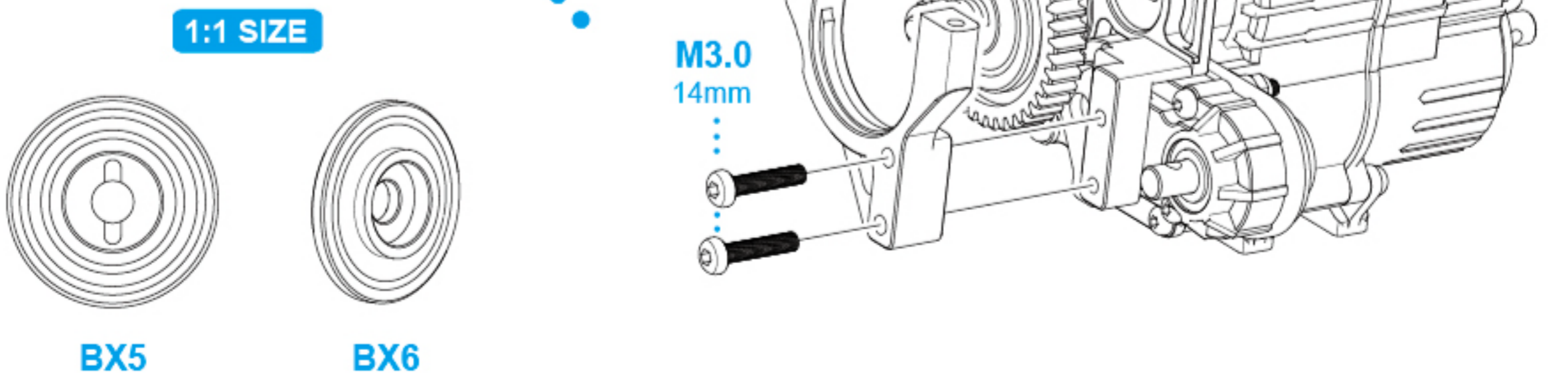
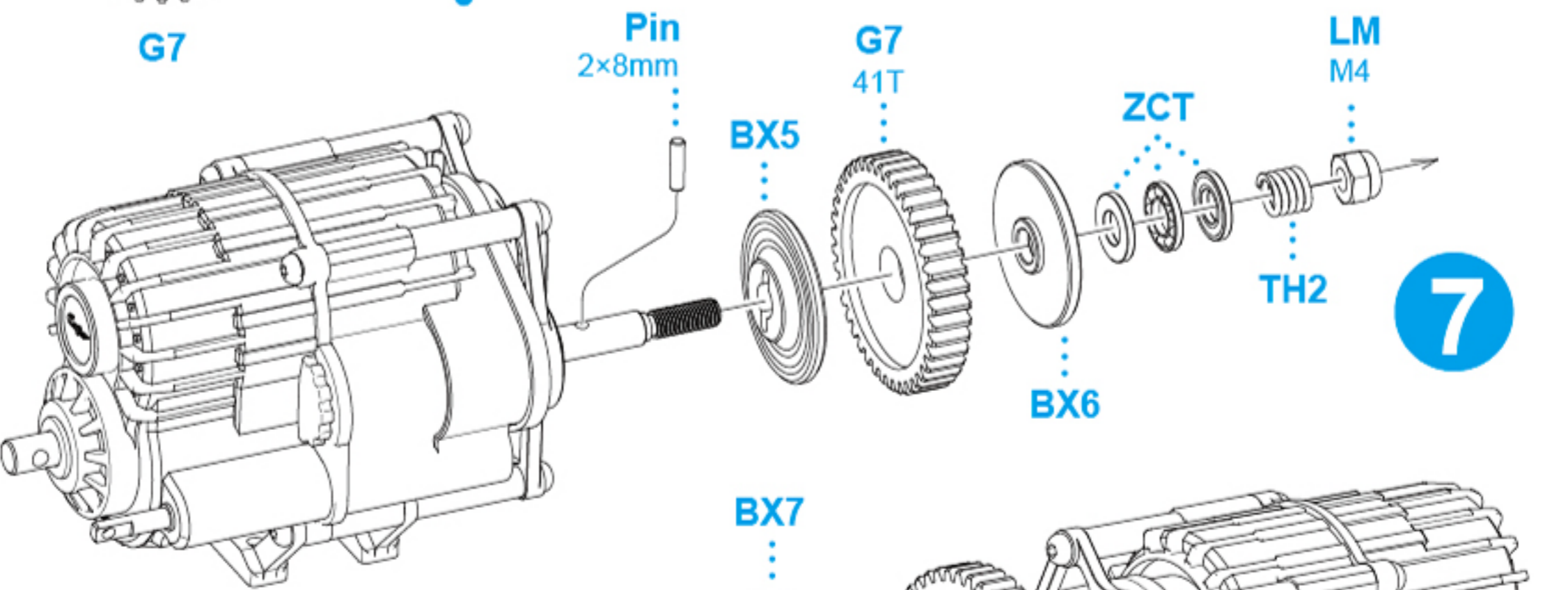
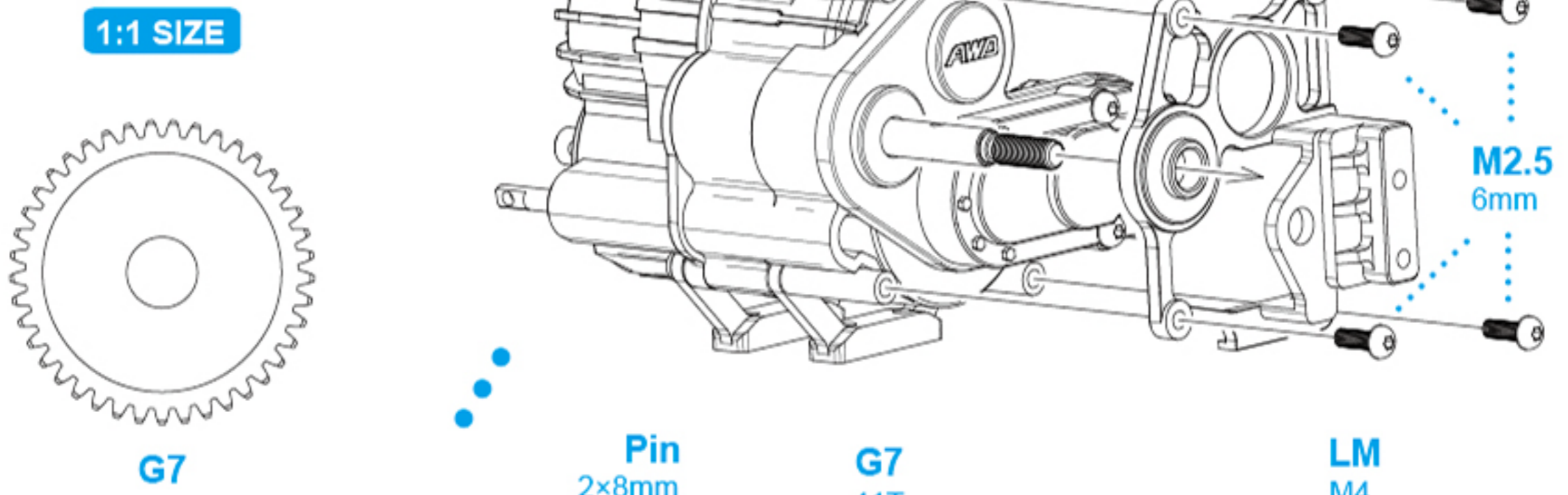
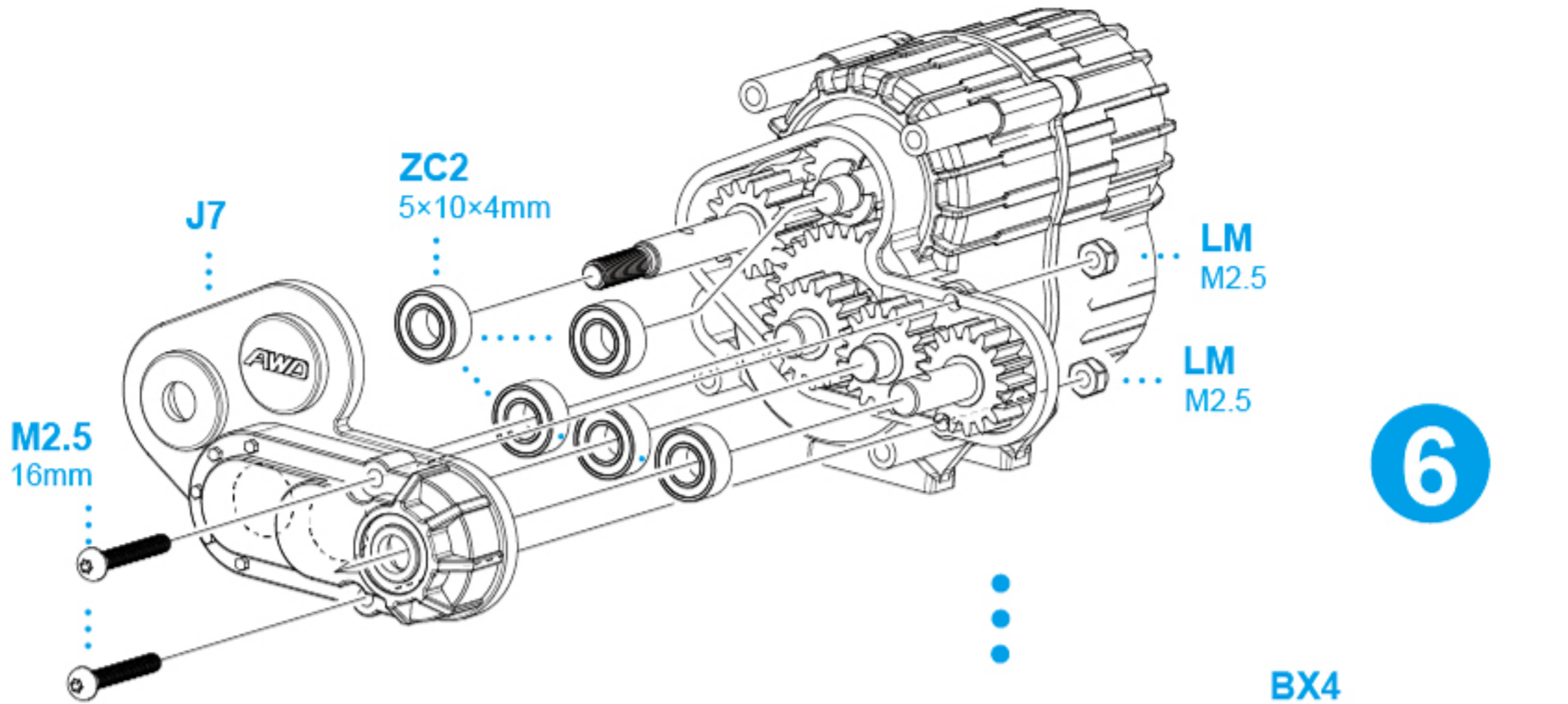


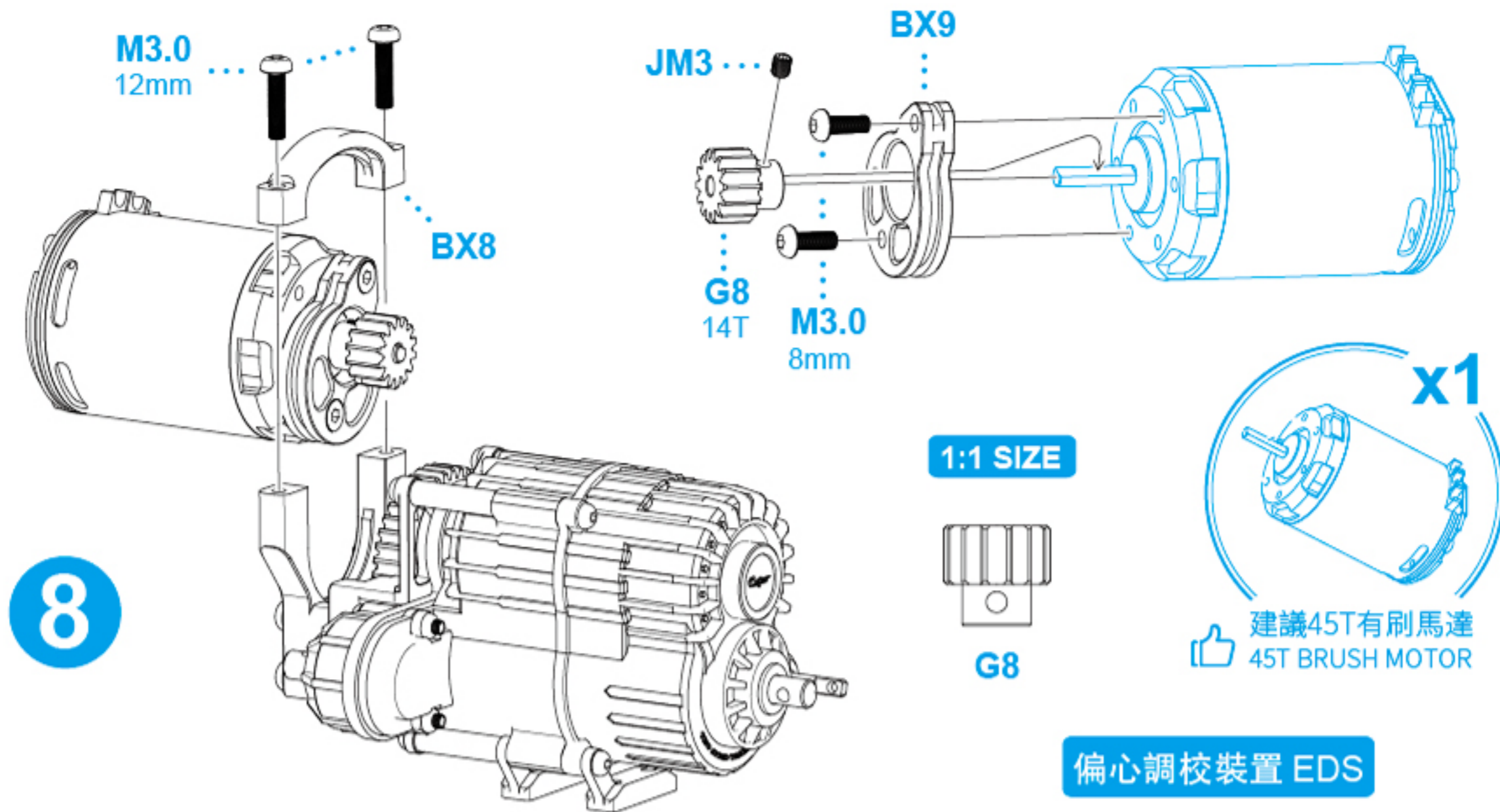
1:1 SIZE



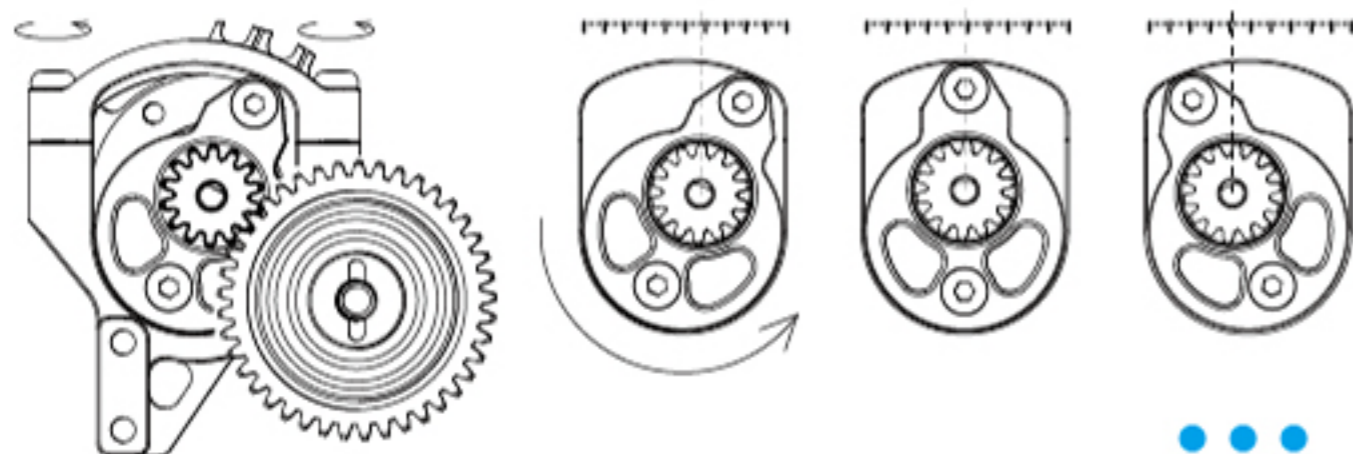
5







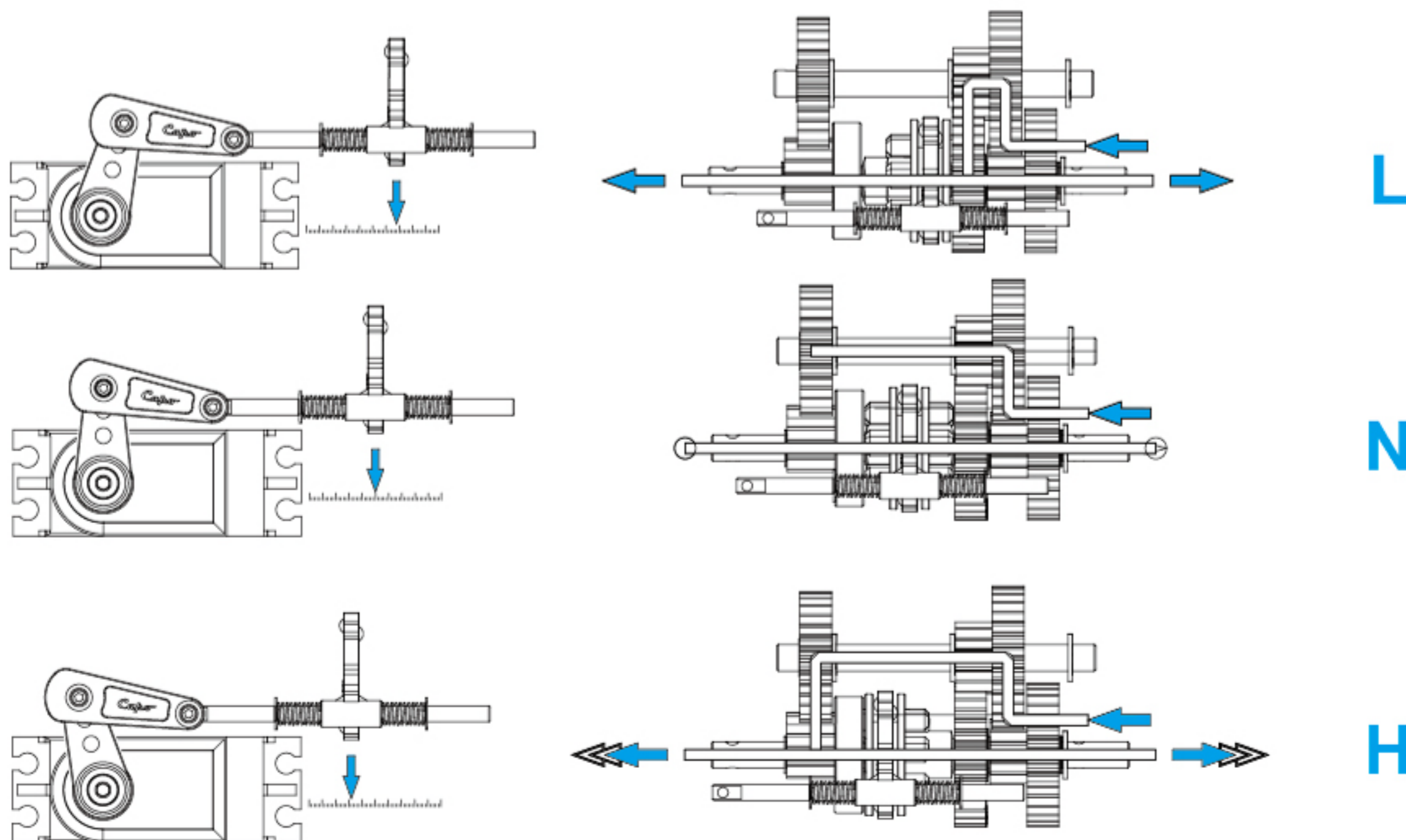
鬆開 Loosen

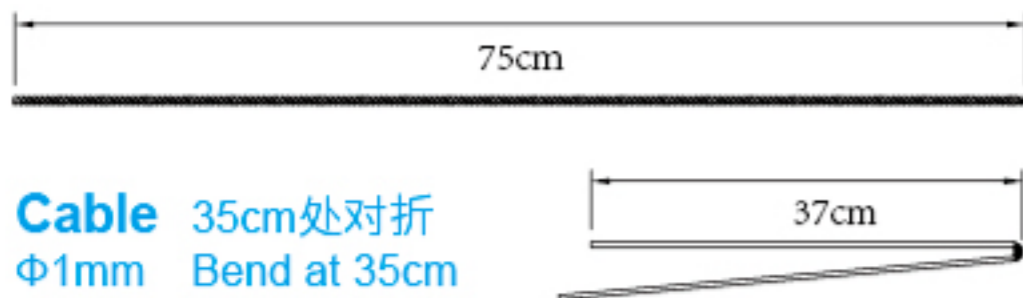


偏心調校便於馬達齒與大齒的咬合調整，咬合強度可使用一張常規A4紙片塞入齒間隙咬緊並完整抽出。

Eccentric trim system is very good for fine tuning when gear running. Use a strip of paper and place it between the pinion / spur gear. then the piece of paper will give the proper spacing / mesh of the gears.

二檔變速原理 2 Speed (High/Low) Illustration





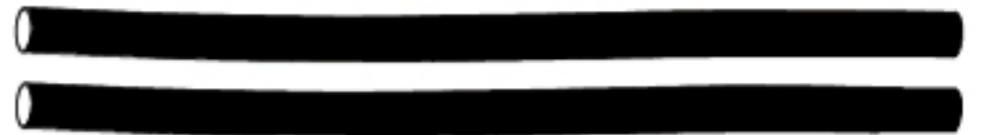
Cable 35cm处对折
Φ1mm Bend at 35cm

11

TUBE



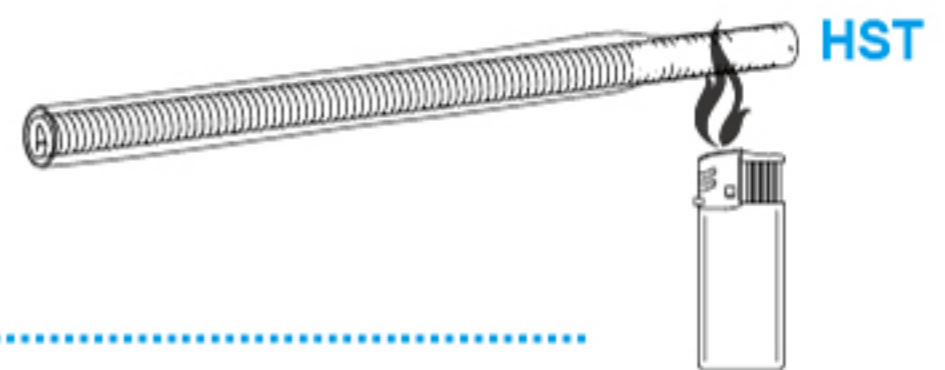
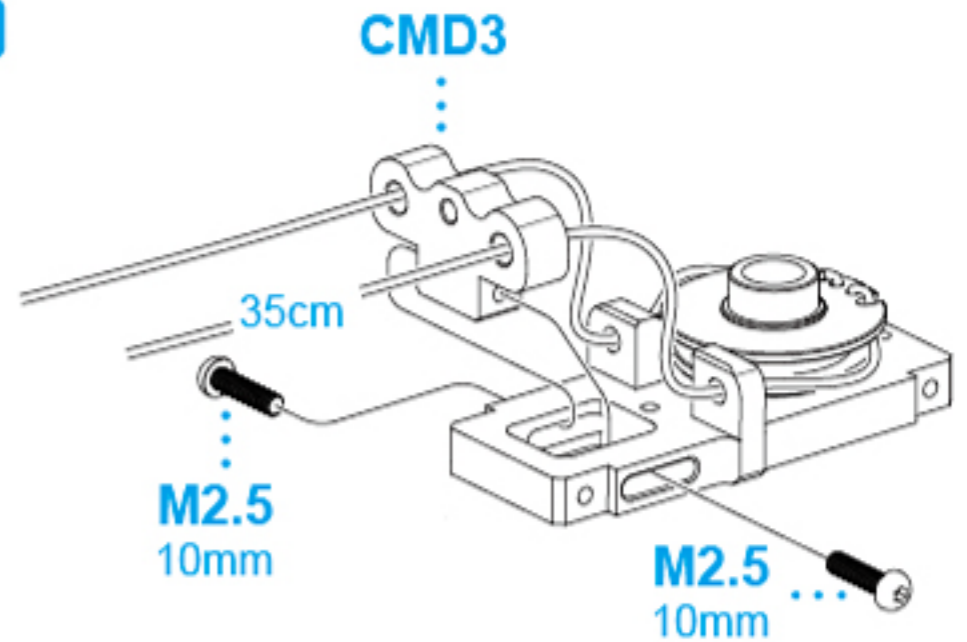
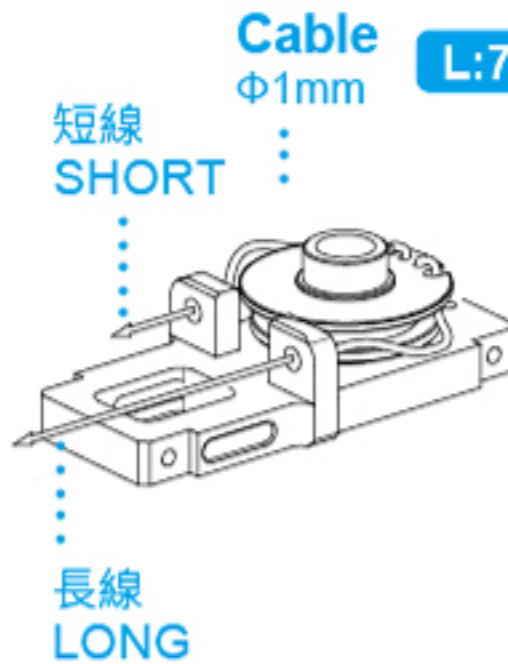
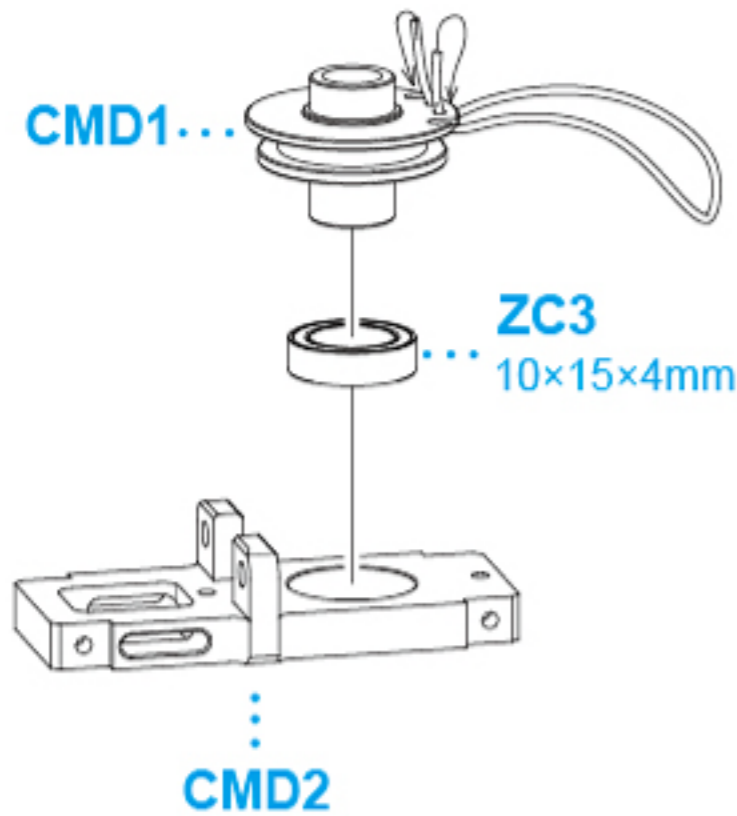
HST



根據TUBE長度裁剪HST

Cut the HST(Hot Shrink Tube) according the Tube length.

CMD1...



PS.....

將鋼絲對折一長一短，將二端穿入CMD1，CMD3并按圖示裝配。

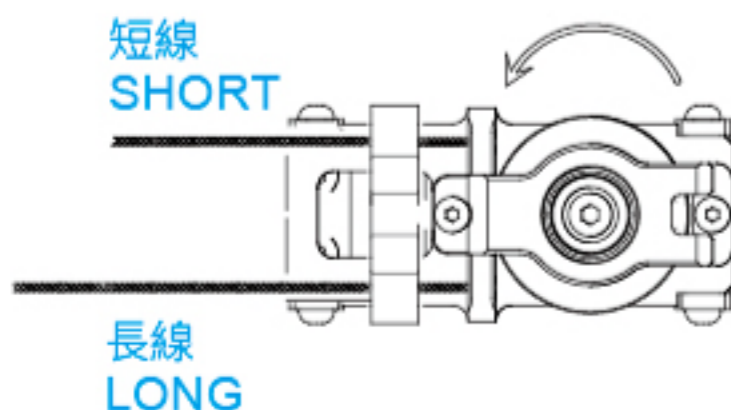
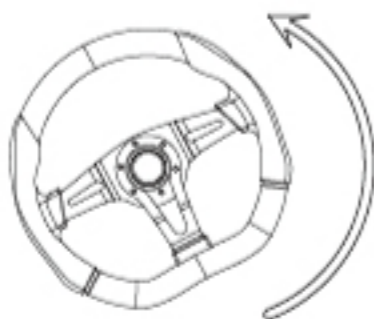
將HST套TUBE，用打火機火焰加熱HST，使其收緊無法滑動即可。請勿過分炙烤以免毀壞。

組合完成一長一短二條TUBE+HST。按照下圖套入Cable完成裝配。

準備一個20Kg以上的標準舵機來配合轉向系統的安裝。

Insert the bent cable through CMD1 and CMD3 then assemble as the picture shown.

Wrap the TUBE with HST(hot shrink tube), heat it with a lighter, till make sure the TUBE won't slide out. Don't overheat in case of damage.After finishing the TUBE assemble sets, insert the cable and proceed the next step.



Teaching Video: <https://youtu.be/33FEBG6v6fU>

PS.....

將一長一短TUBE+HST按照圖示接入裝置，如果后期出現遙控器與轉向方向相反，請檢查舵机方向。

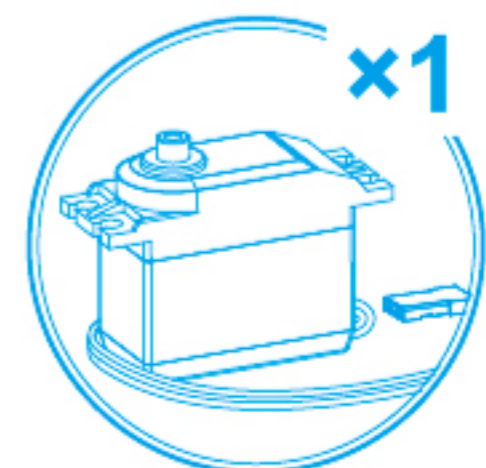
Place the long and short TUBE set as shown.

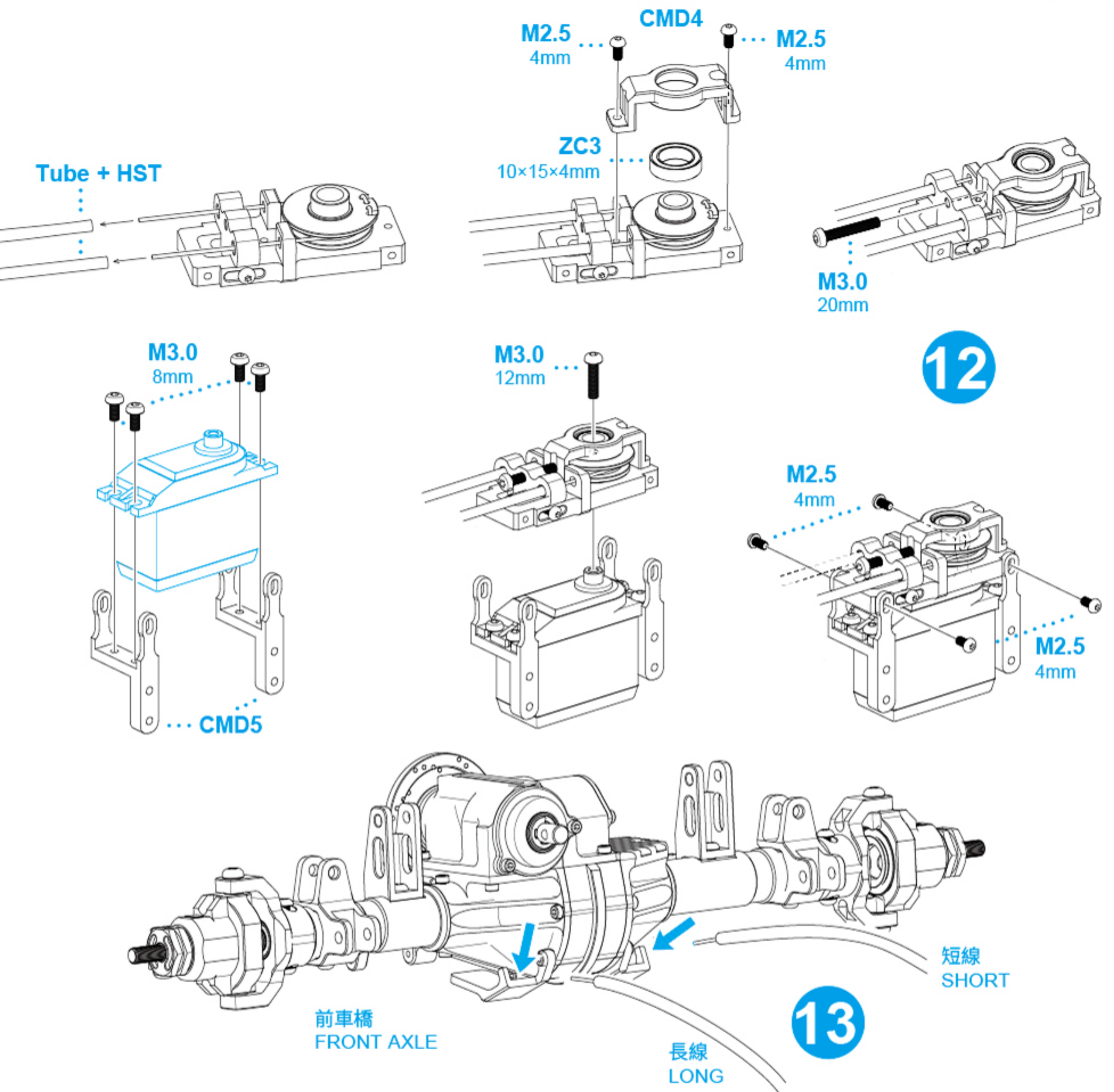
Check the servo settings with the transmitter to see if the servo moves properly.

PS.....

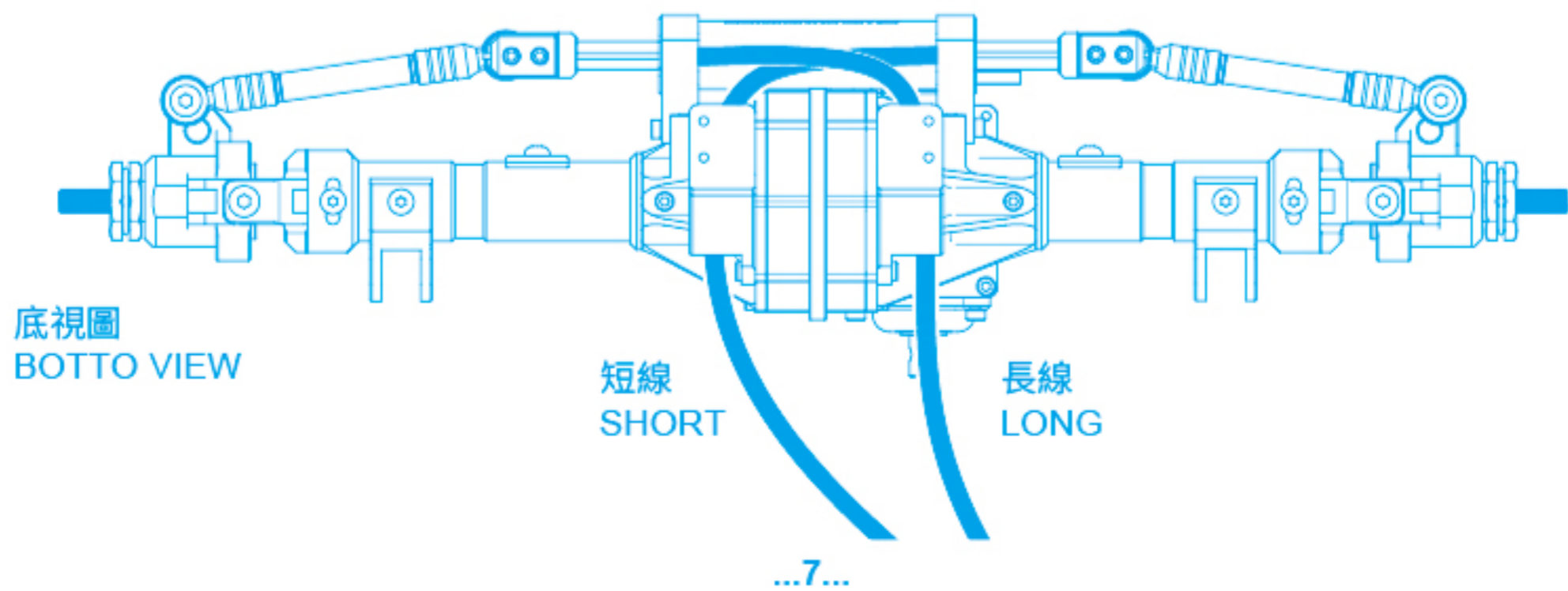
準備一個≥20Kg的標準舵機來配合轉向系統的安裝。

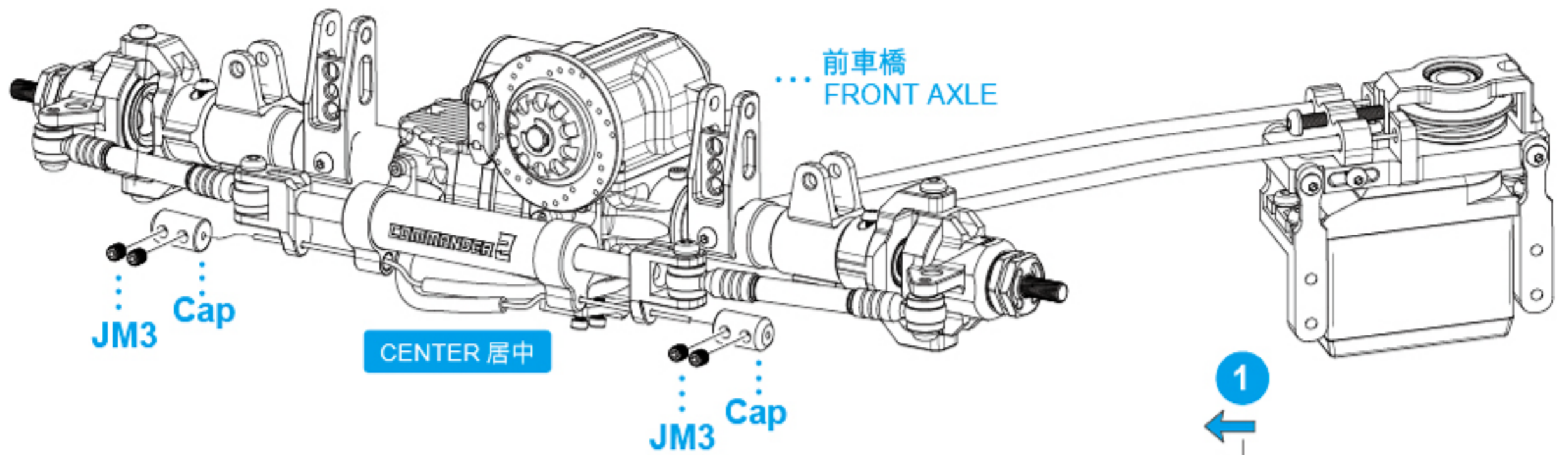
Prepare a standard servo with at least 20Kg torque to finish this step.





! 預裝不代表經過測試，請檢查如拉桿幾米螺絲的組裝和部分螺絲鬆緊度。并為齒輪添加潤滑脂。
 Tuning needed regardless it's pre assembled, please check the screws in rod end. and add grease on the gears.



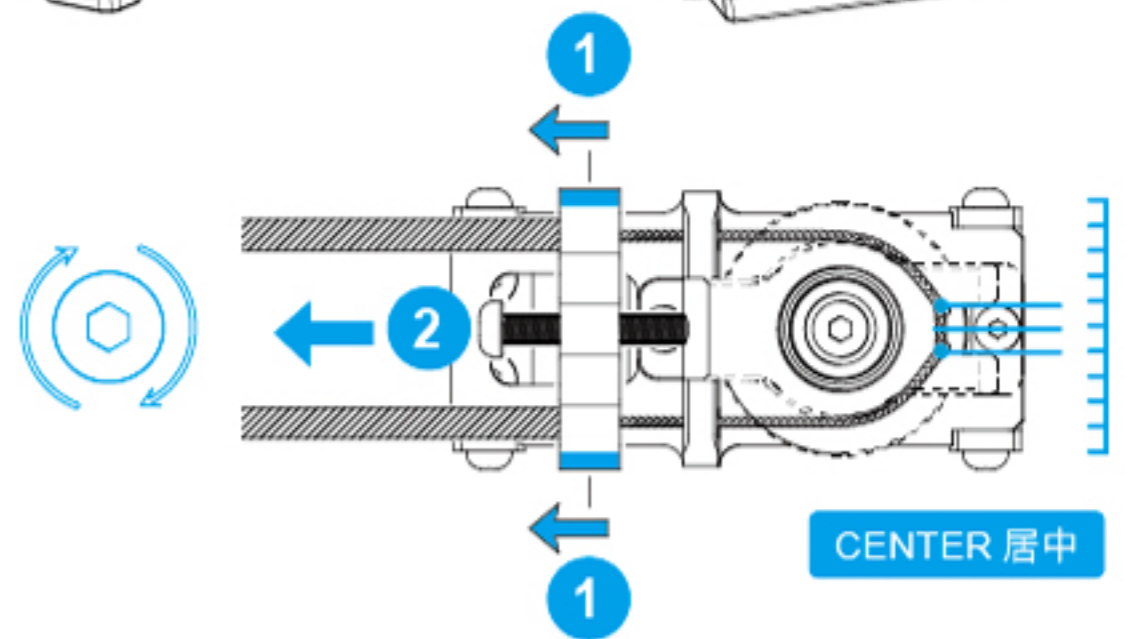


14

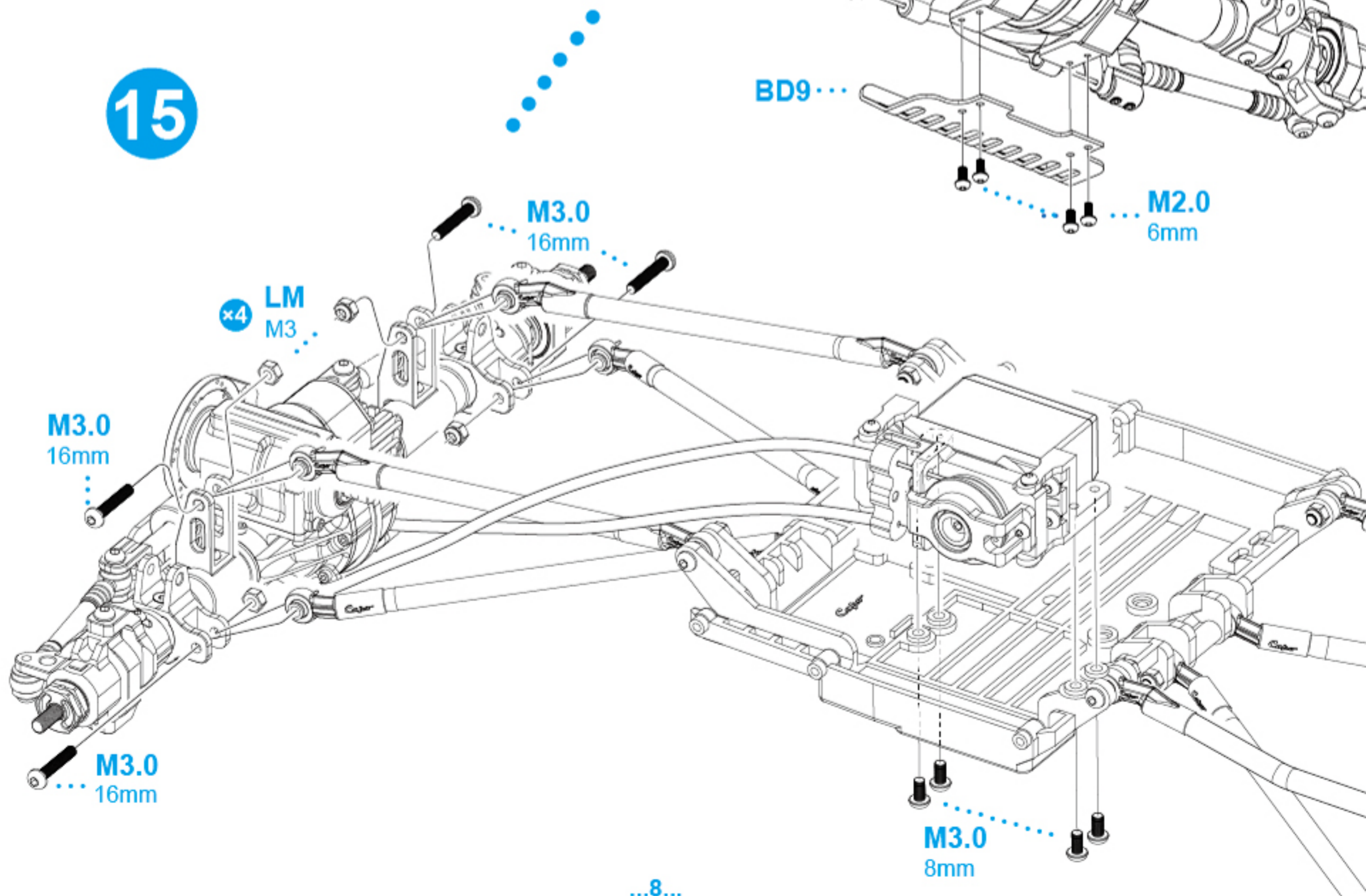
PS.....

鎖緊Cap前，確保前轉向裝置和CMD1如右圖居中。
鋼絲不需要拉扯過緊，盡量繃直鋼絲減少彈性即可。
夾緊Cap後，鬆開右圖 ① 螺絲，右圖 ② 螺絲調節鋼絲力度。
將鋼絲調緊無虛位後，擰緊右圖 ① 螺絲完成安裝。

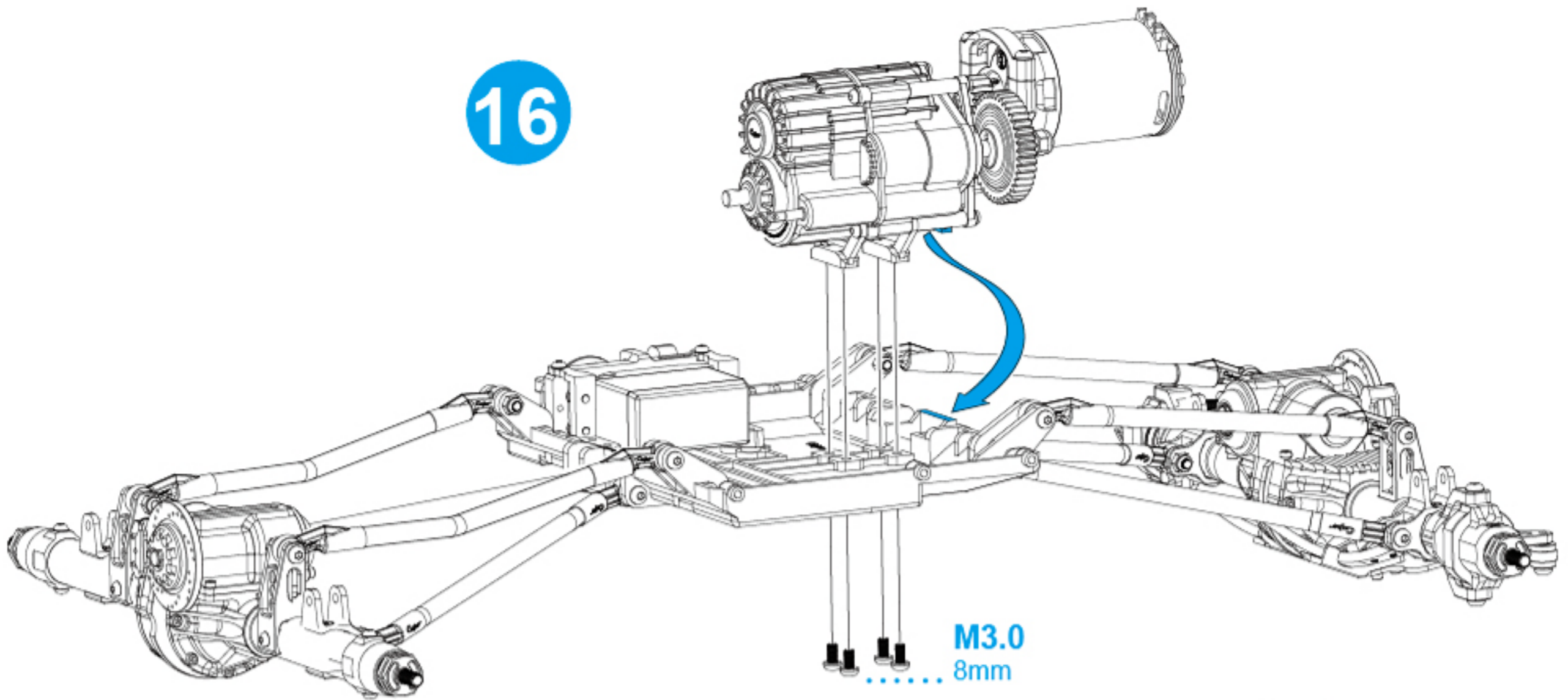
Make sure the servo and CMD1 in the middle position,
and keep the suitable tension on the cable. Loosen the
screw ①, turn the screw ② to adjust the cable tension,
then tighten ① once steering is properly aligned.



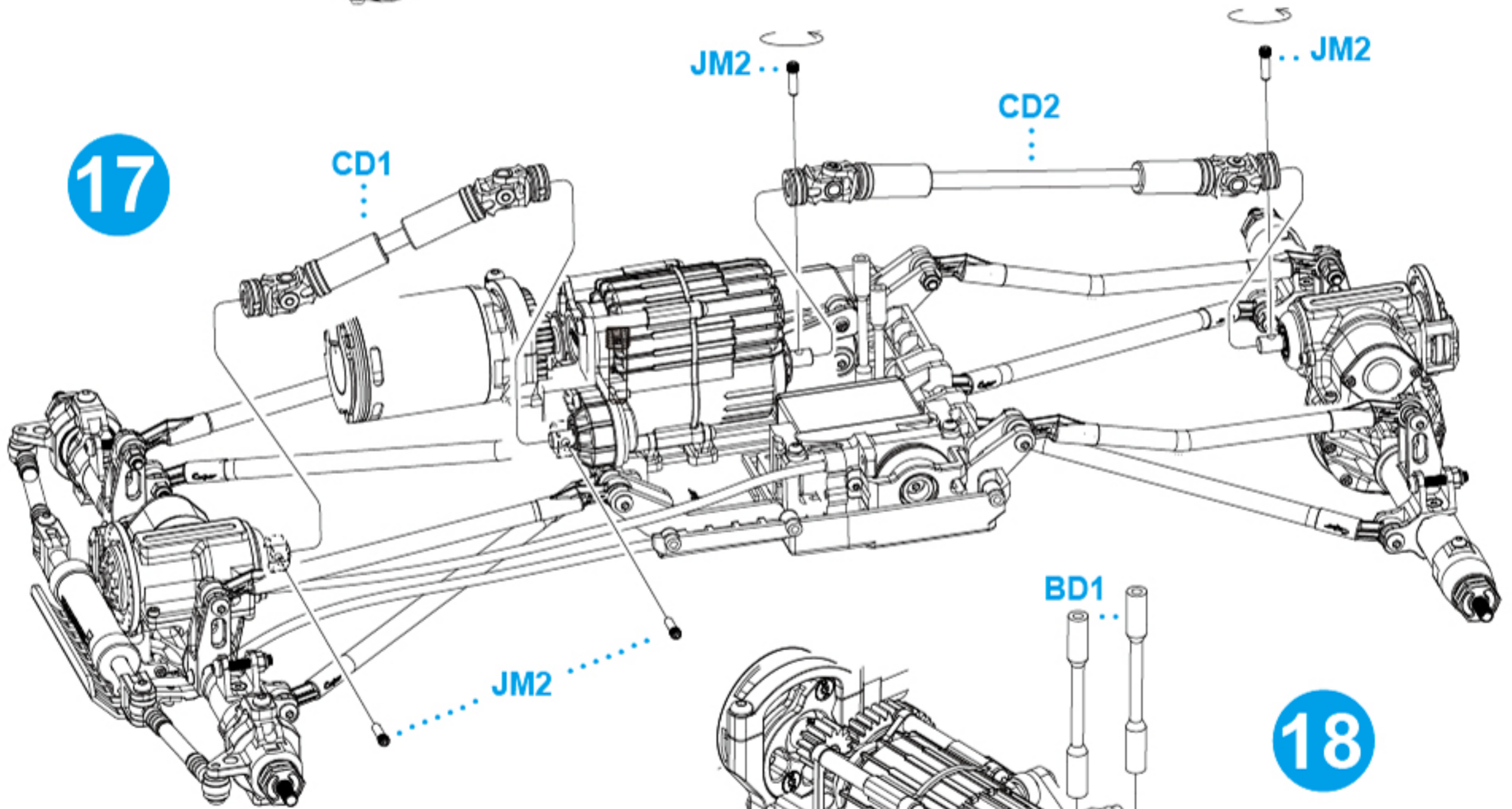
15



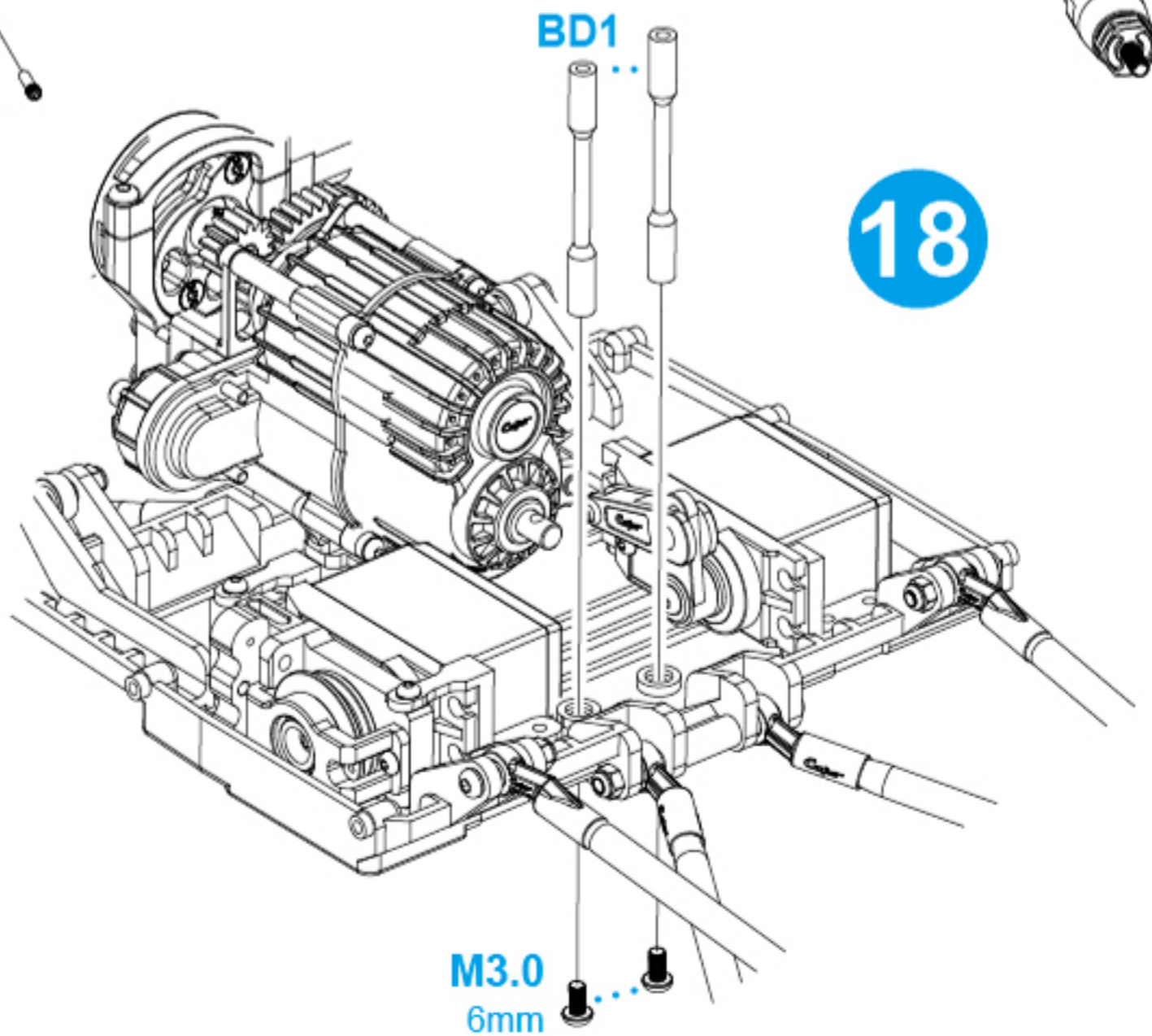
16



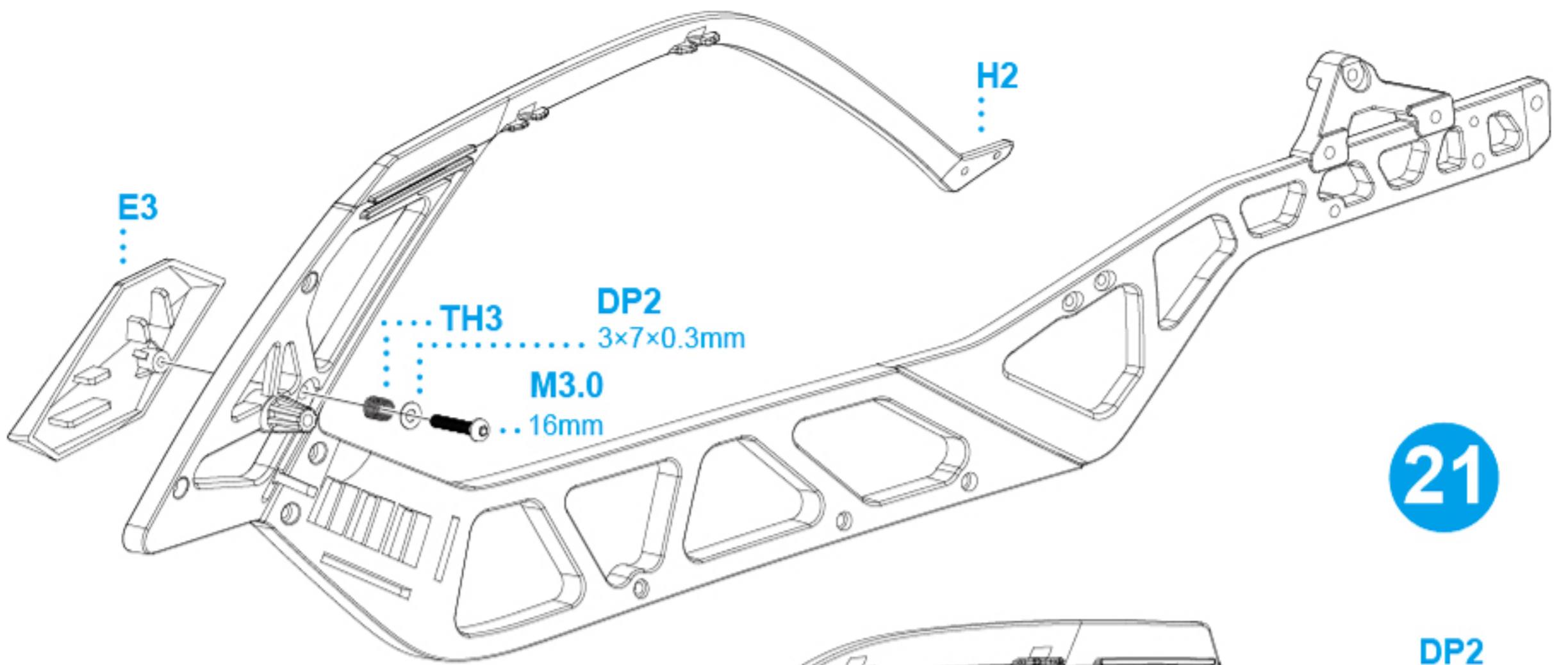
17



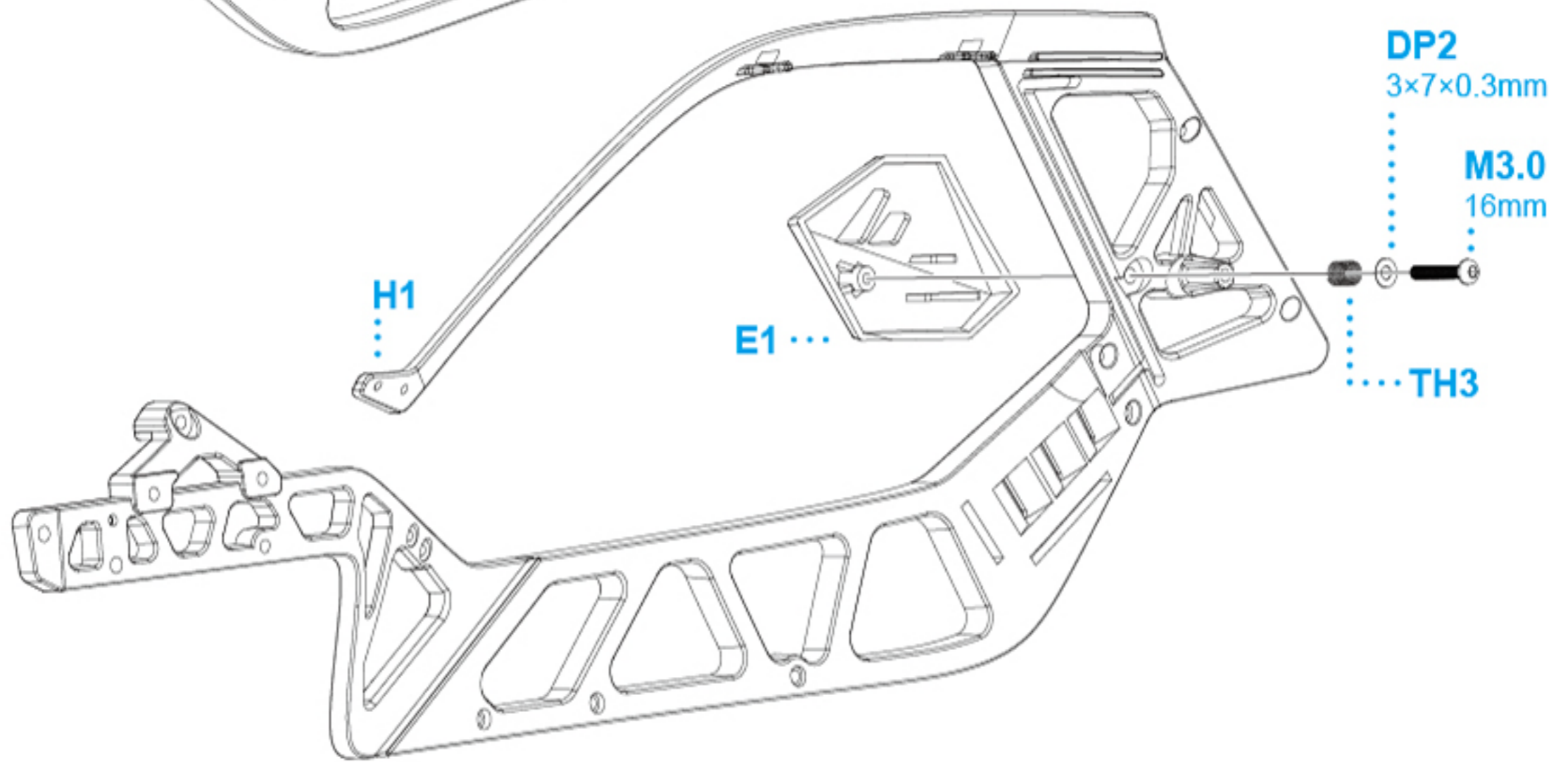
18



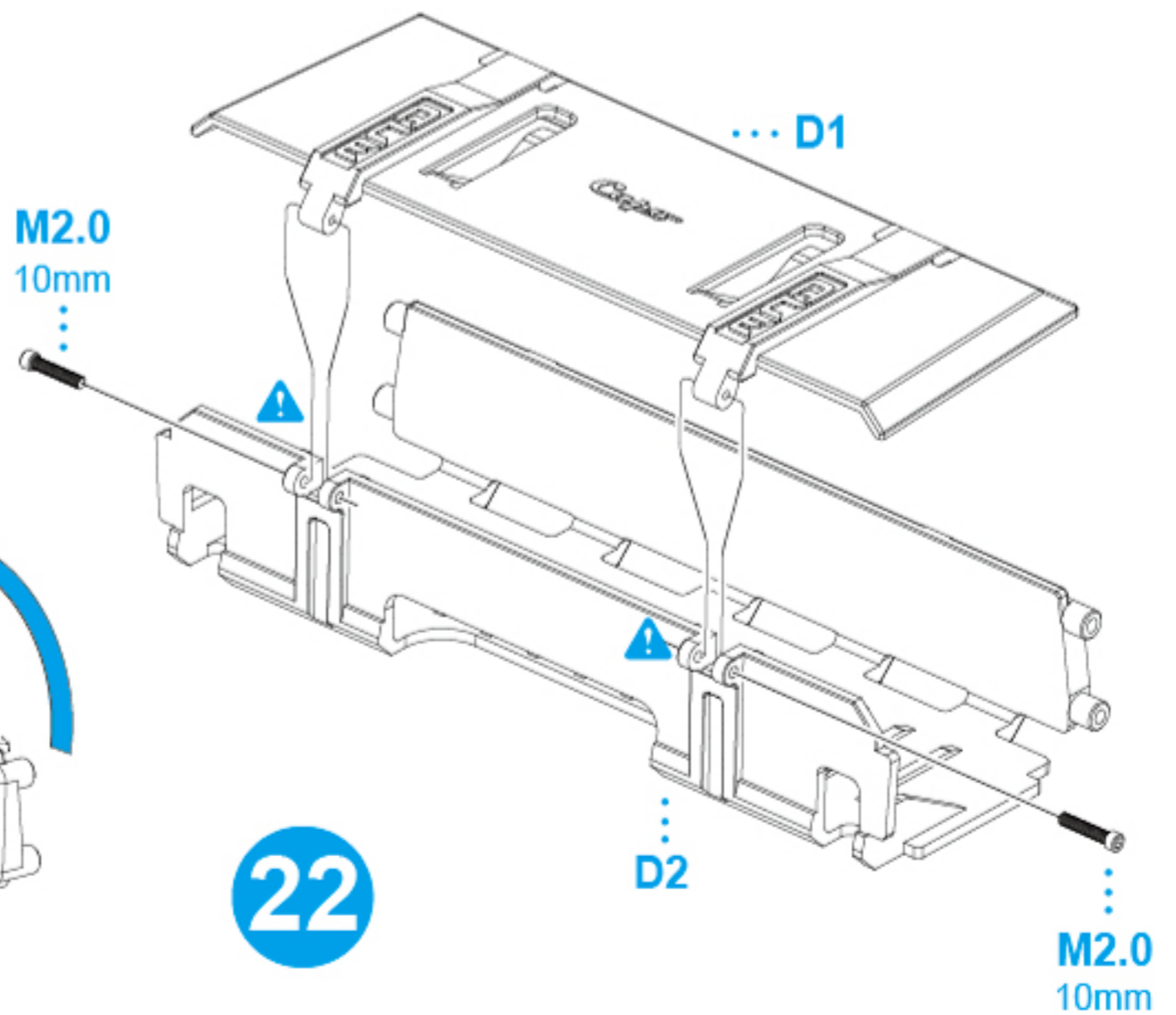
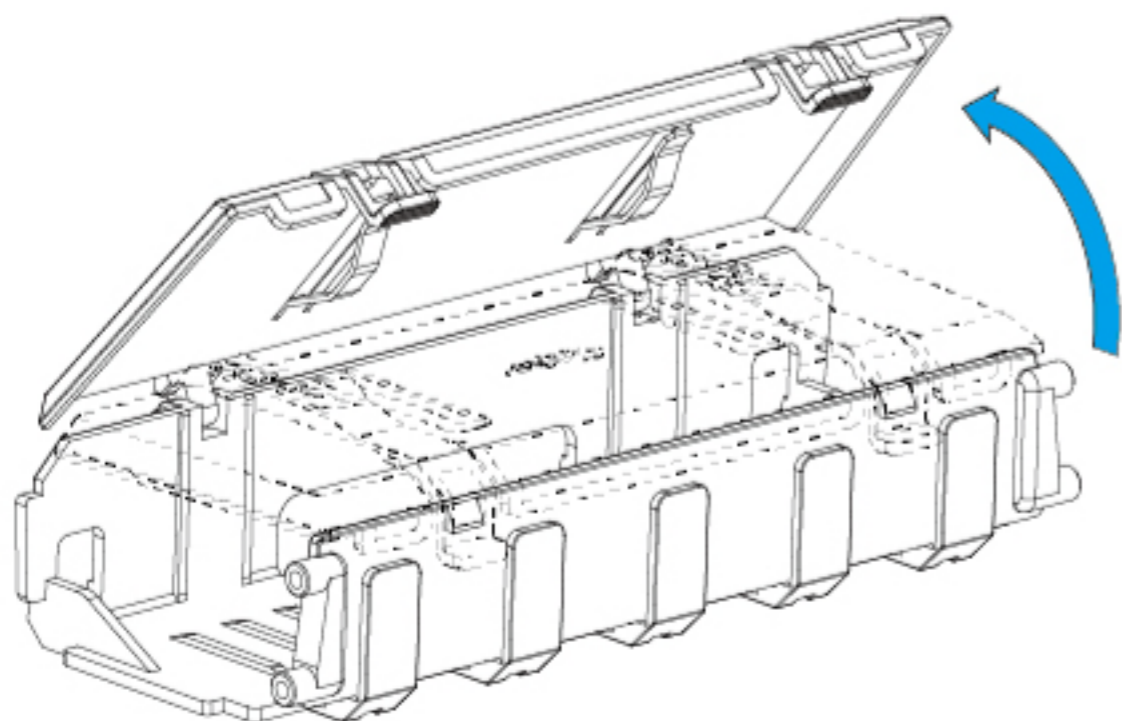
PS.....
 為使圖示表現清楚，以下省略了馬達連線。
 也可考慮在此步驟焊接，也可選擇最後焊接。
 For clear view in the manual on this page,
 the cable was erased intentionally.



21



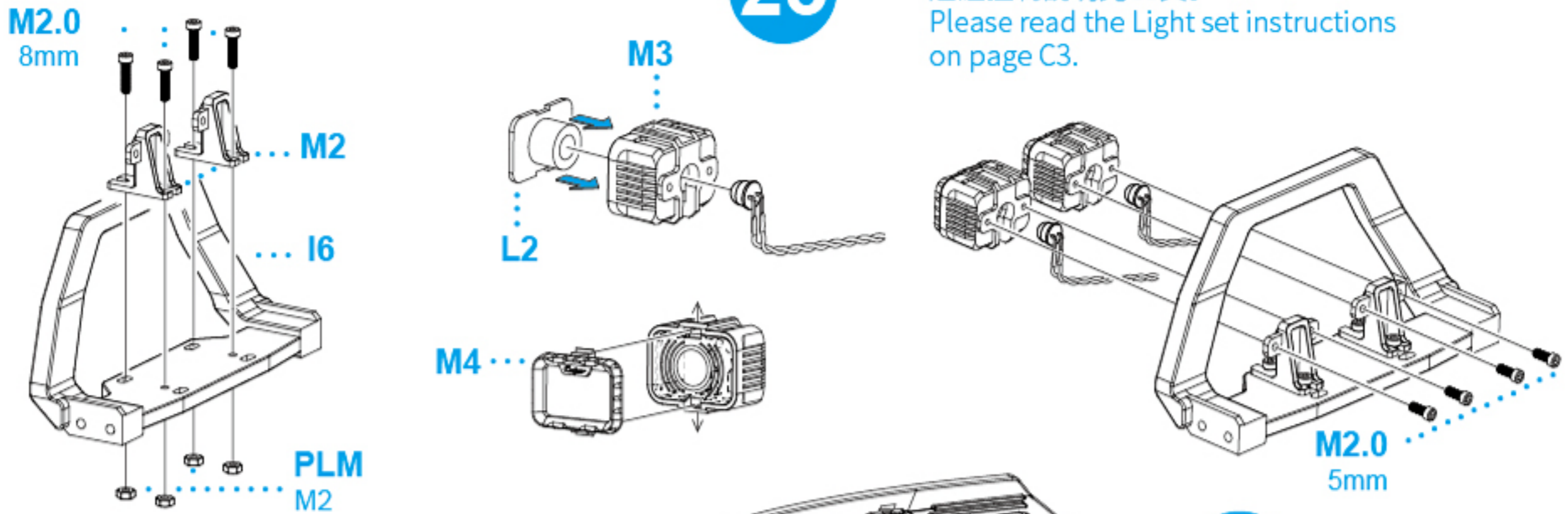
PS.....
 最大可放置140×45×25mm尺寸電池
 Max. battery size: 140×45×25mm



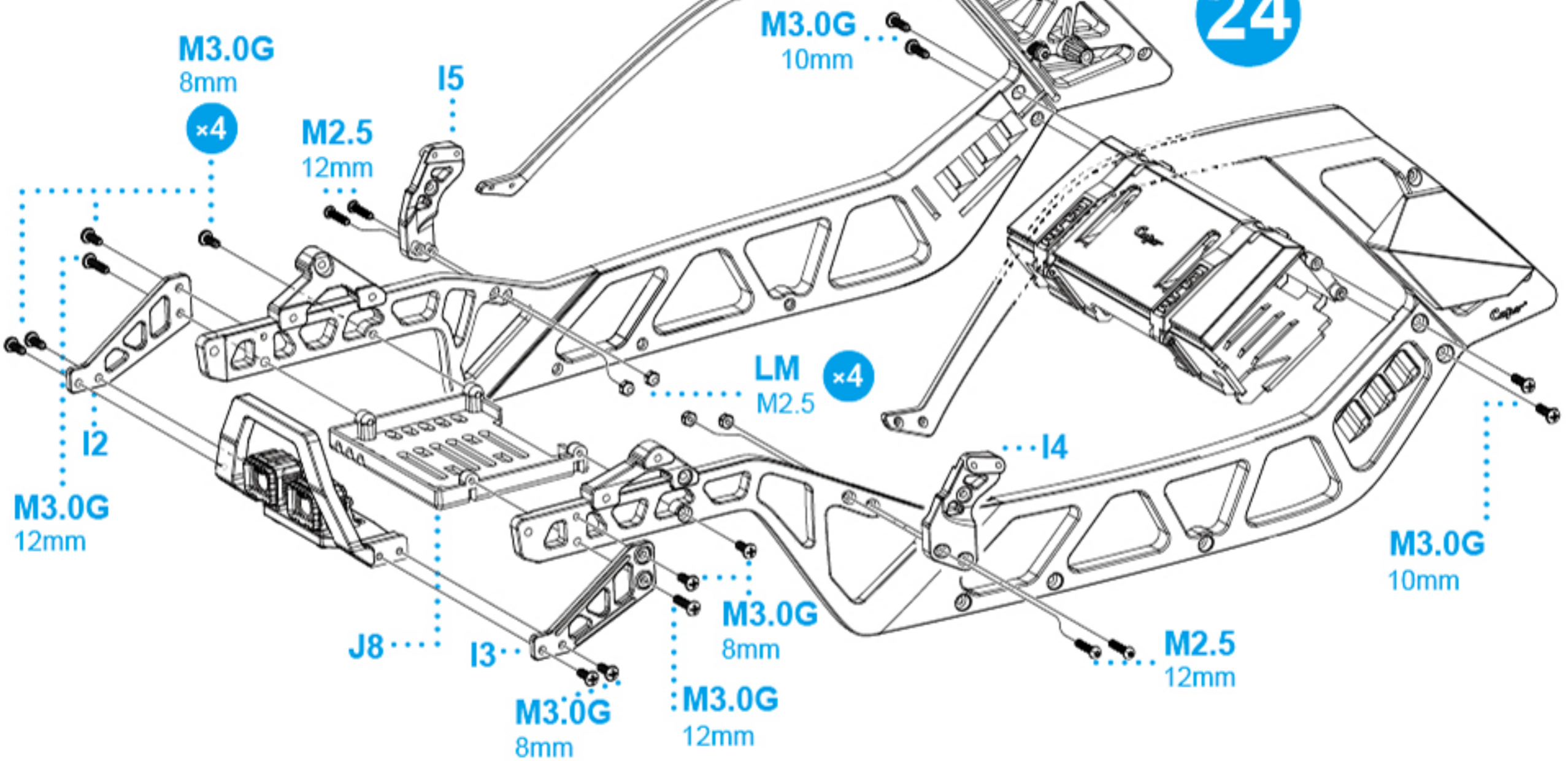
22

23

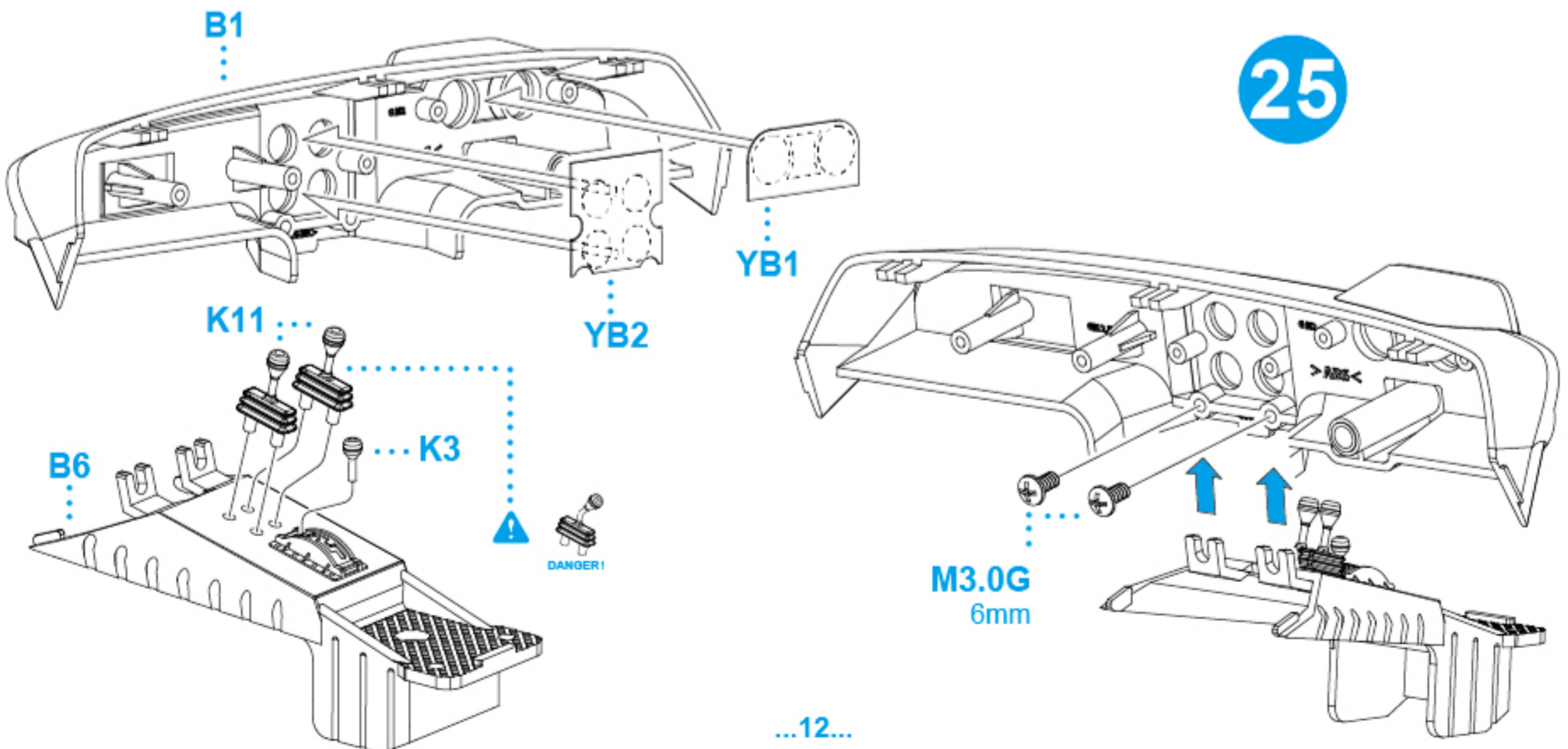
PS.....
 燈組控制說明見C3頁。
 Please read the Light set instructions
 on page C3.



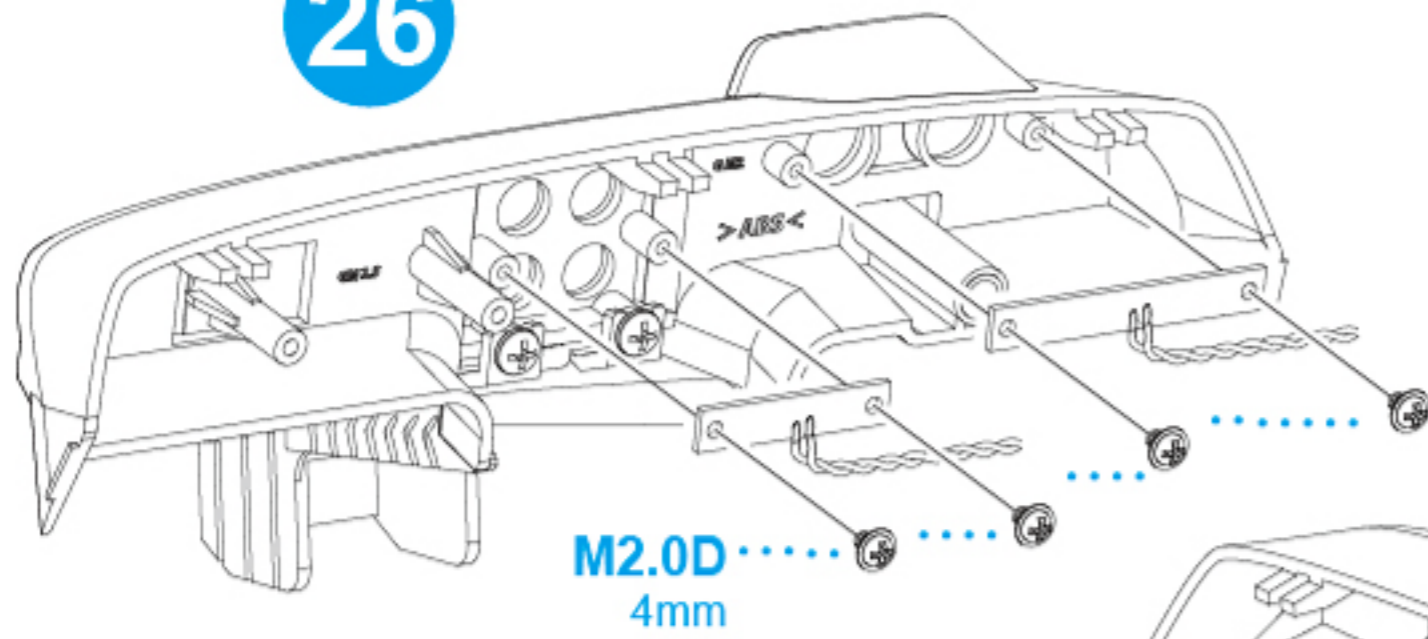
24



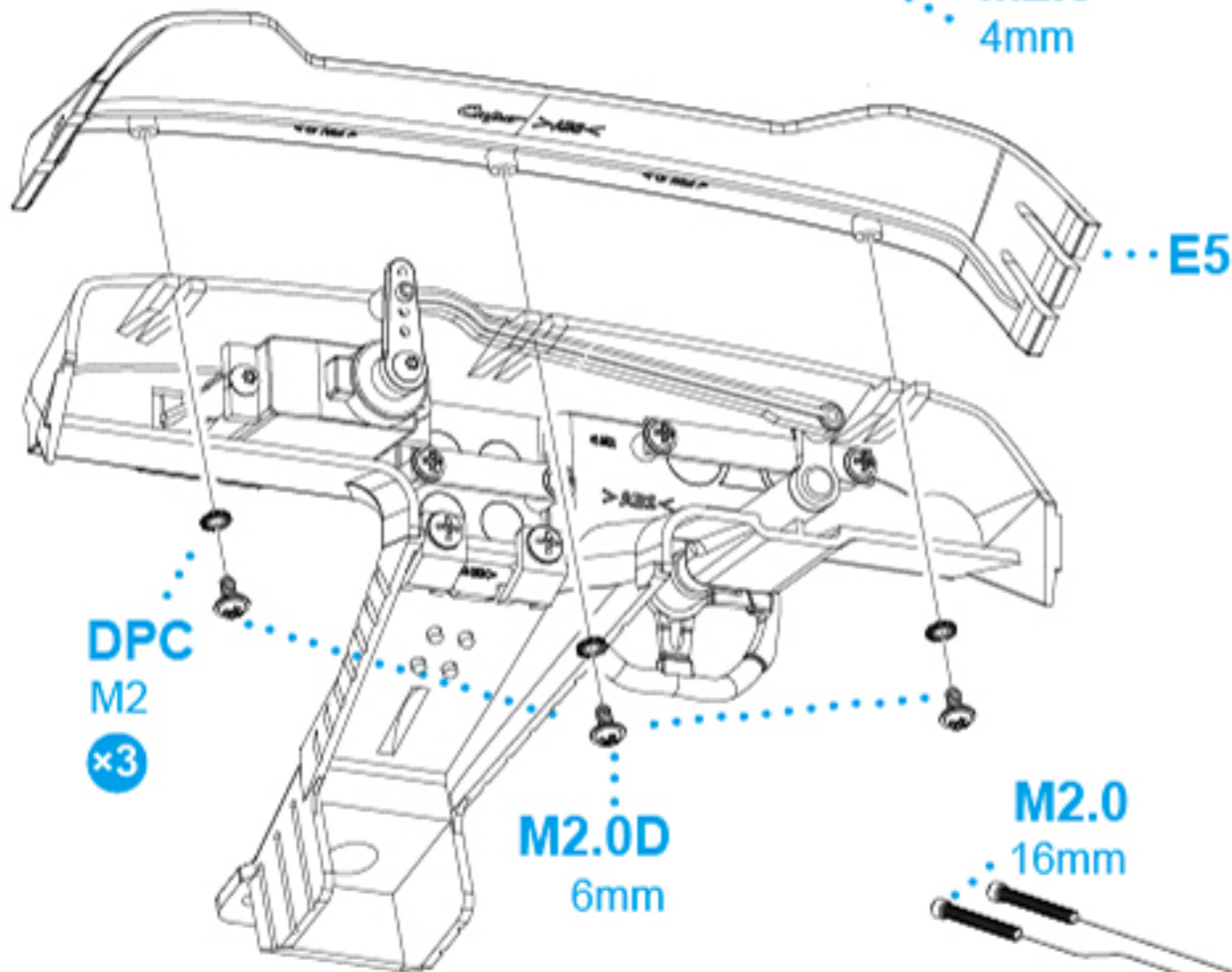
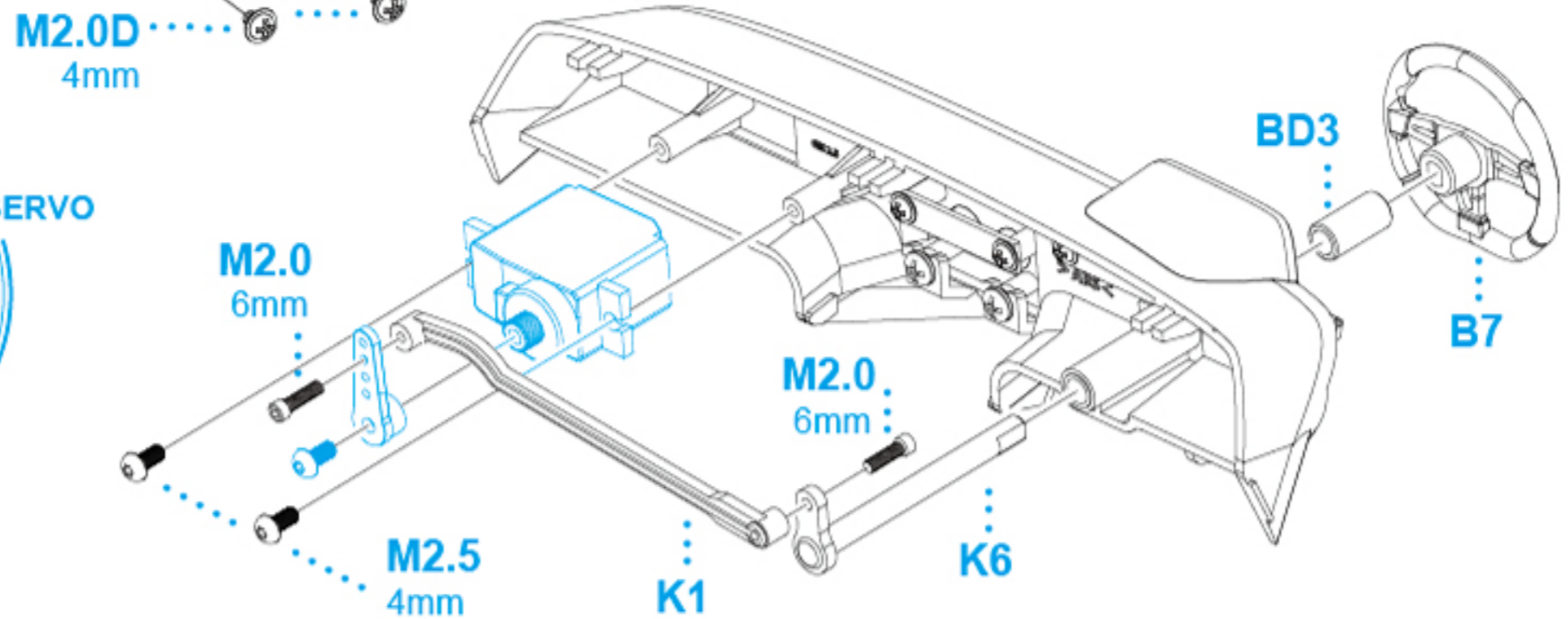
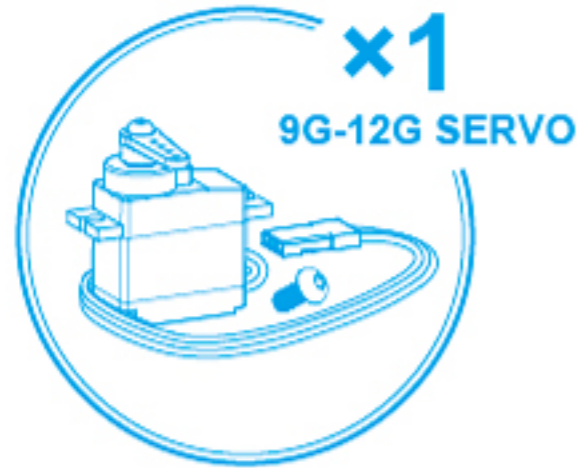
25



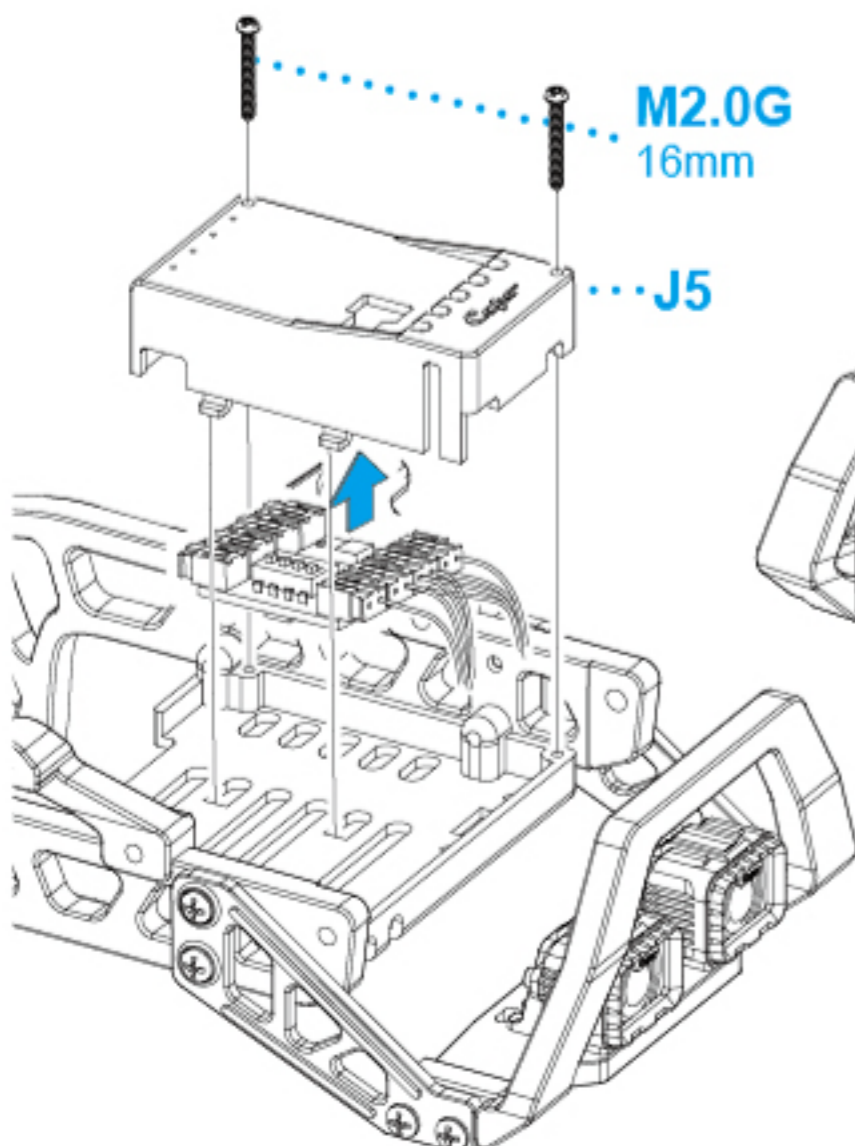
26



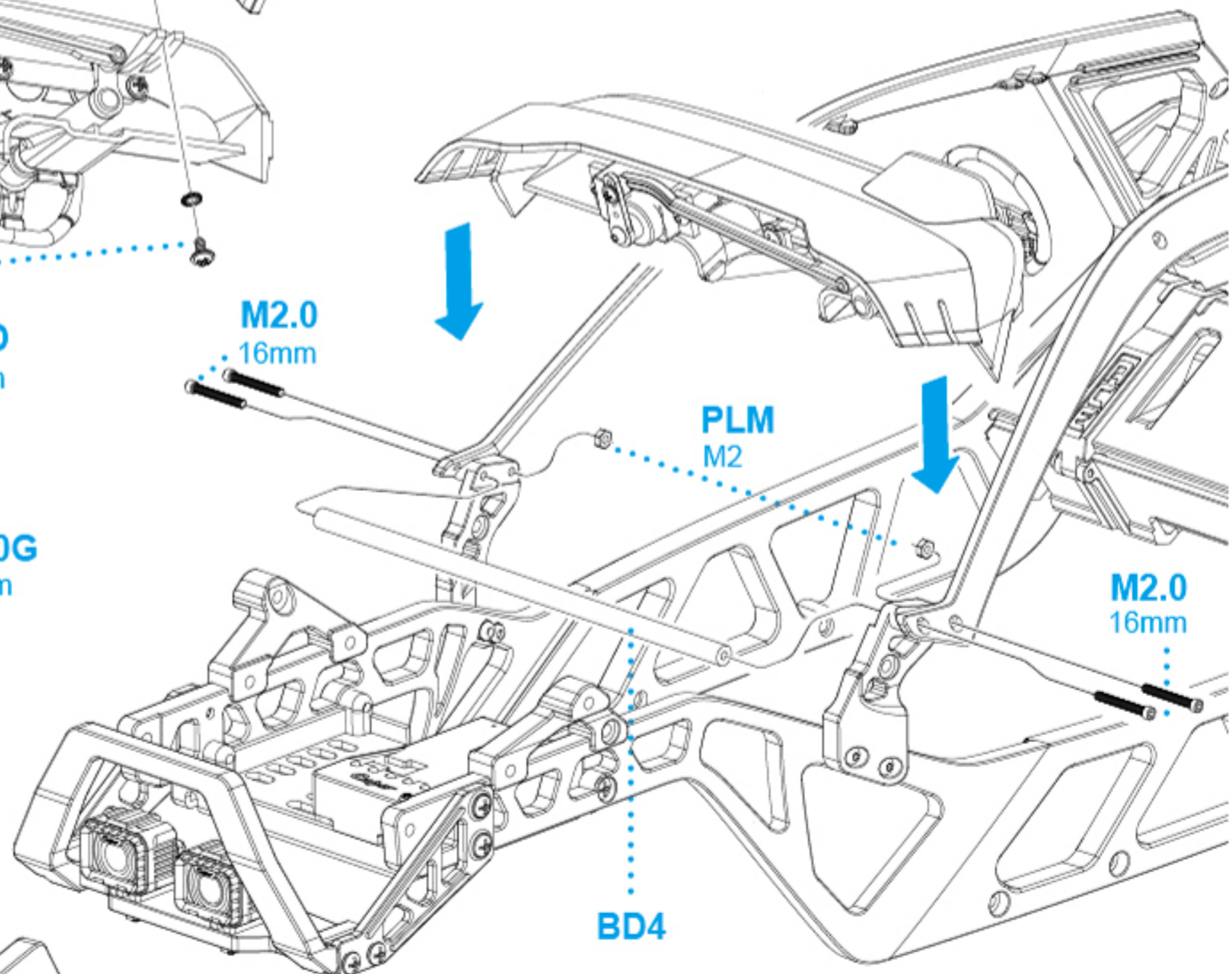
PS.....
 將儀錶盤燈組固定在中控台上。
 準備一個9G小型舵機來完成方向盤聯動。
 Secure LED sets on the dashboard.
 Install a 9 g mini servo to sync the
 steering wheel.



DPC  帶齒的防滑墊片
 Non-slip Gasket 



PS.....
 J5是燈光控制器的外罩。
 J5 is the LED controller cover.



27



避震組裝 Damper Assembly

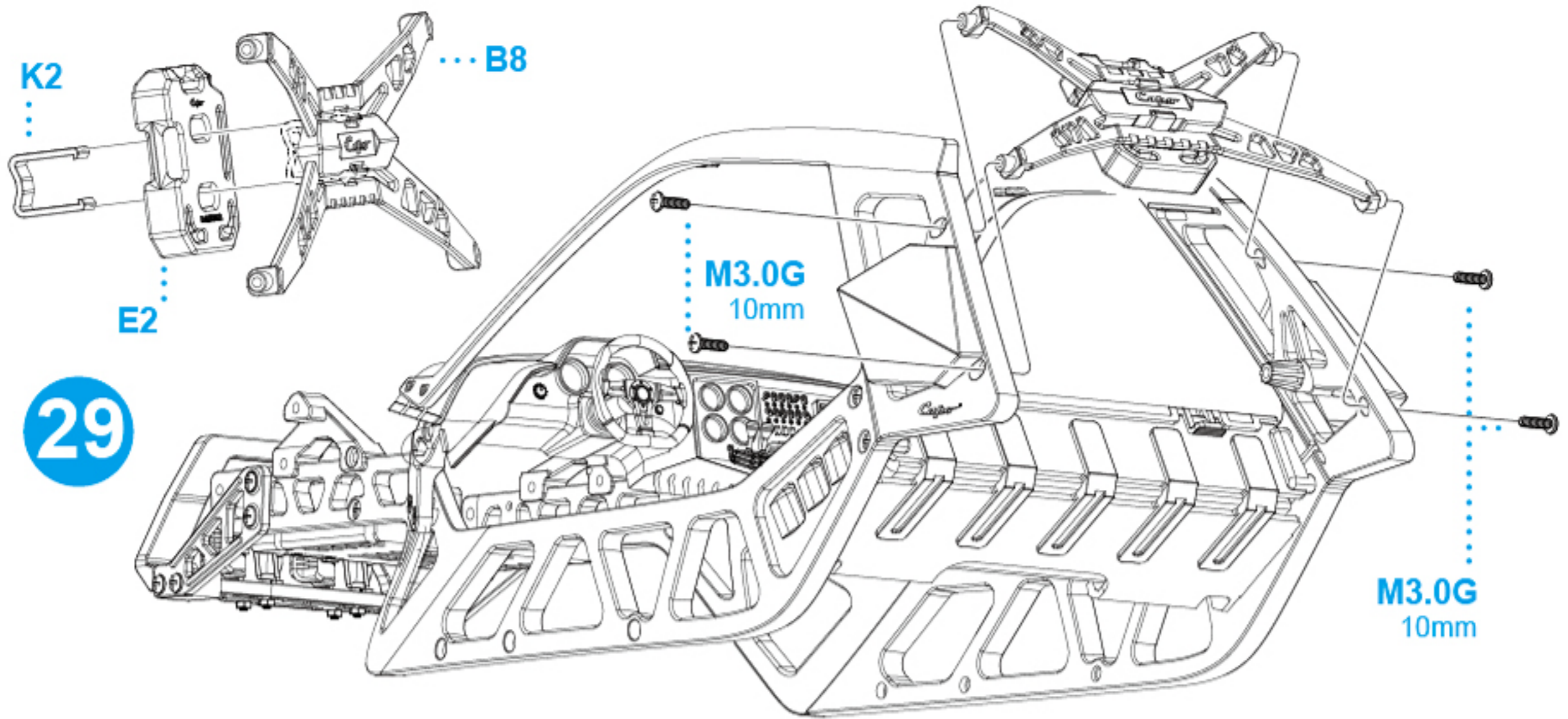
- ① 按照彈簧管長度裁剪矽膠油管。
 - ② 準備 <20ml / 200cst 避震油對四組避震進行注油。通過抽拉和靜置避震筒排除多餘氣泡。
 - ③ 對負壓筒進行裝配組合，黑色螺絲只作為調節和安裝配件使用。
 - ④ 將調節螺絲擰入負壓筒尾部，使用一個容器按圖示對負壓筒進行抽拉注油。
 - ⑤ 按圖示推動調節螺絲，盡可能將空氣排出，讓負壓導管內充滿油，再擰出調節螺絲。
 - ⑥ 使用**JM**將負壓筒和避震筒組合，**JM**可進行阻尼微調。
- ① Cut the silicone tube according the spring tube length.
 - ② Use 200 cst shock oil <20 ml and eliminate air bubbles by moving piston up and down several times.
 - ③ Use the black screw to finish the piggyback assembly.
 - ④ Secure the black screw on the piggyback piston and pull out, let it flow inside from a container.
 - ⑤ To avoid the bubbles, please do as the picture shown.
 - ⑥ Use **JM** to adjust the piggyback pressure.



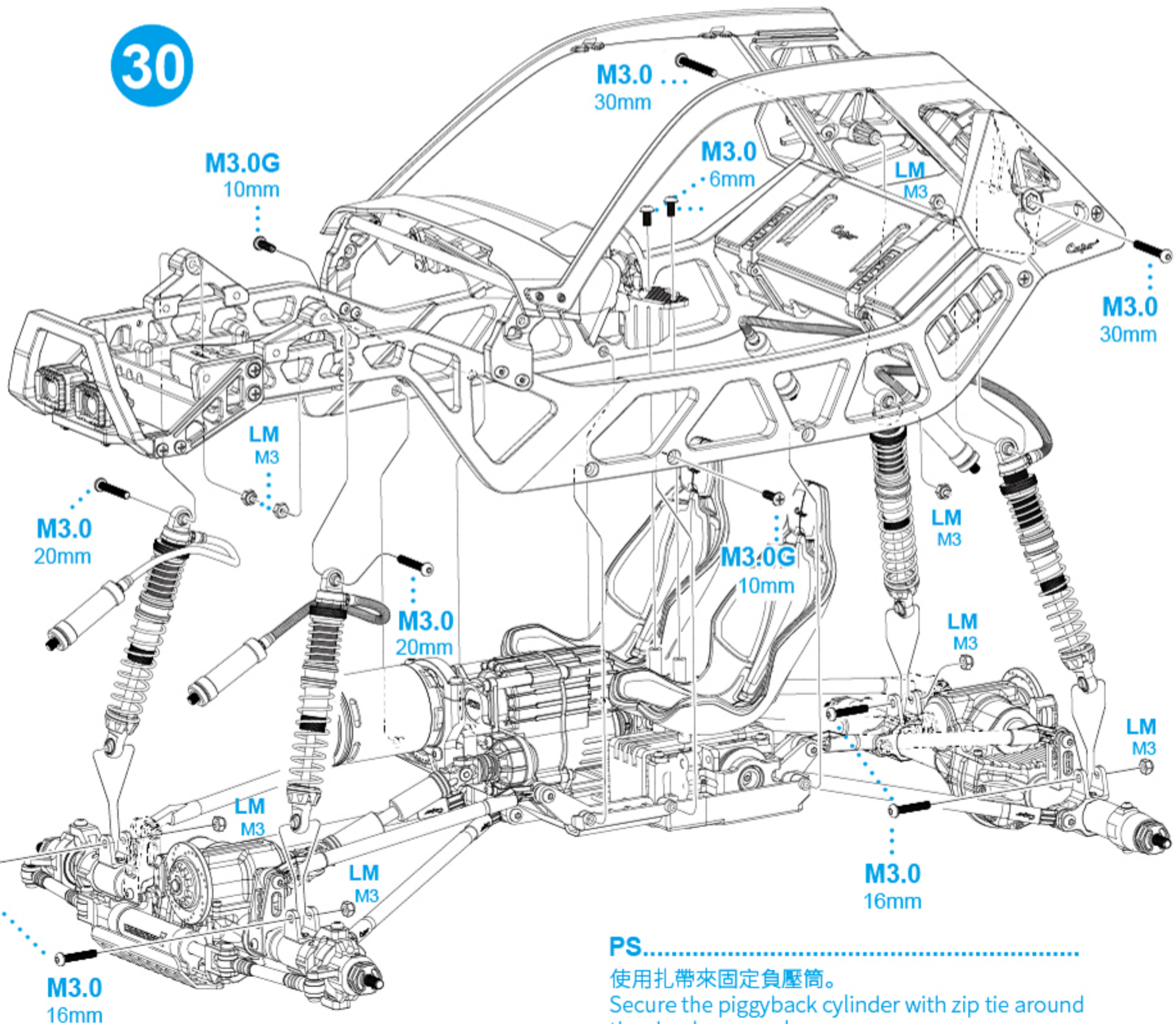
指環微調 RING

Ring可針對上下二級彈簧進行針對性調節。
The Ring is for adjusting the pre pressure
on the upper and lower springs.

- ①-③：當Ring居中時，上層彈簧50%工作率。
增加懸掛硬度和提高車身高度。
- ①-③：When the Ring stays in the middle.
The upper spring keeps the 50% pressure,
the jump height would be higher but the
suspension stiffer.
- ④-⑥：當Ring居上時，上層彈簧100%工作率。
減少懸掛硬度更適用於攀岩場地。
- ④-⑥：Ring on the top. The upper spring is 100% pressed.
The suspension would be softer.

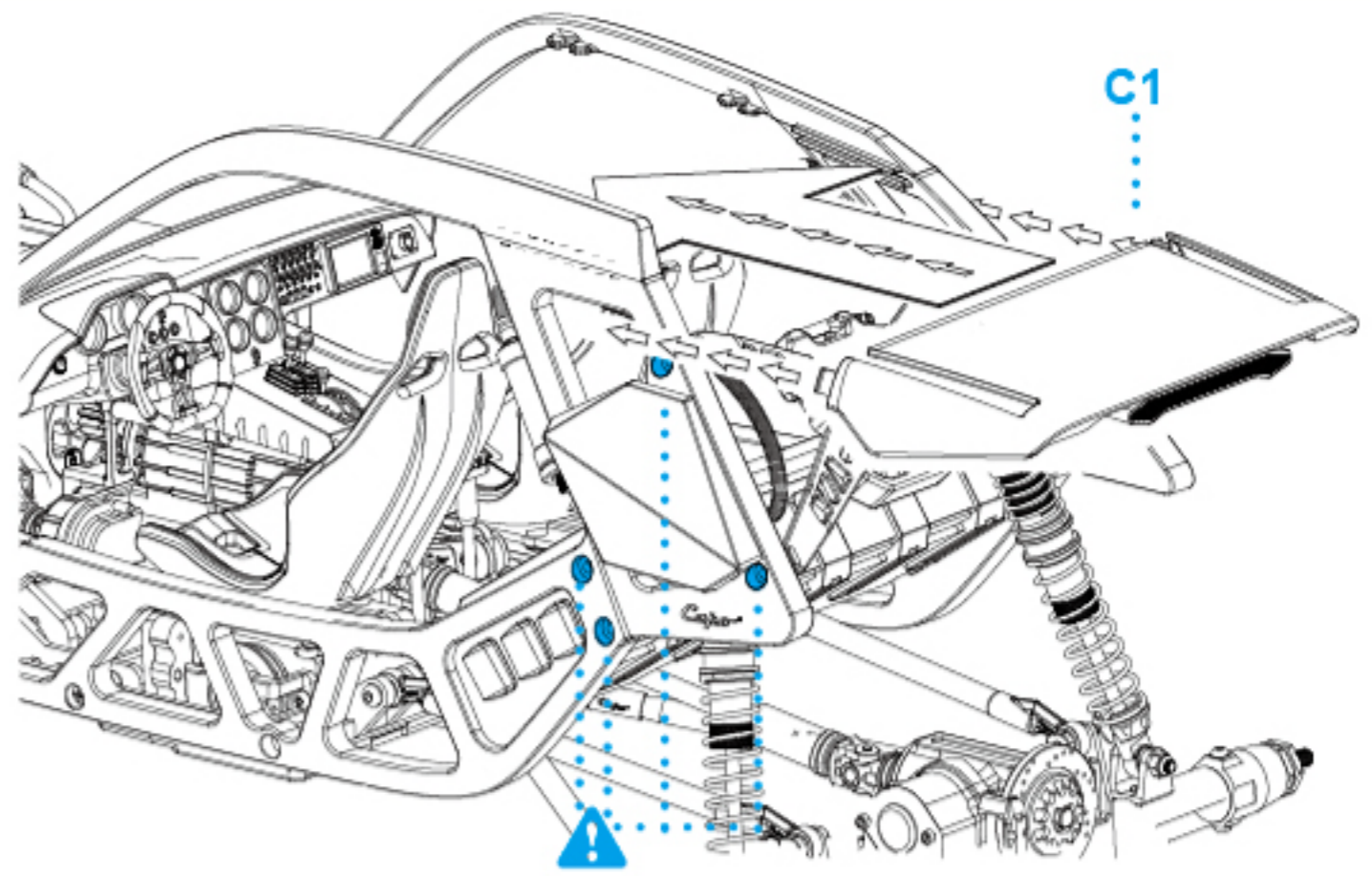
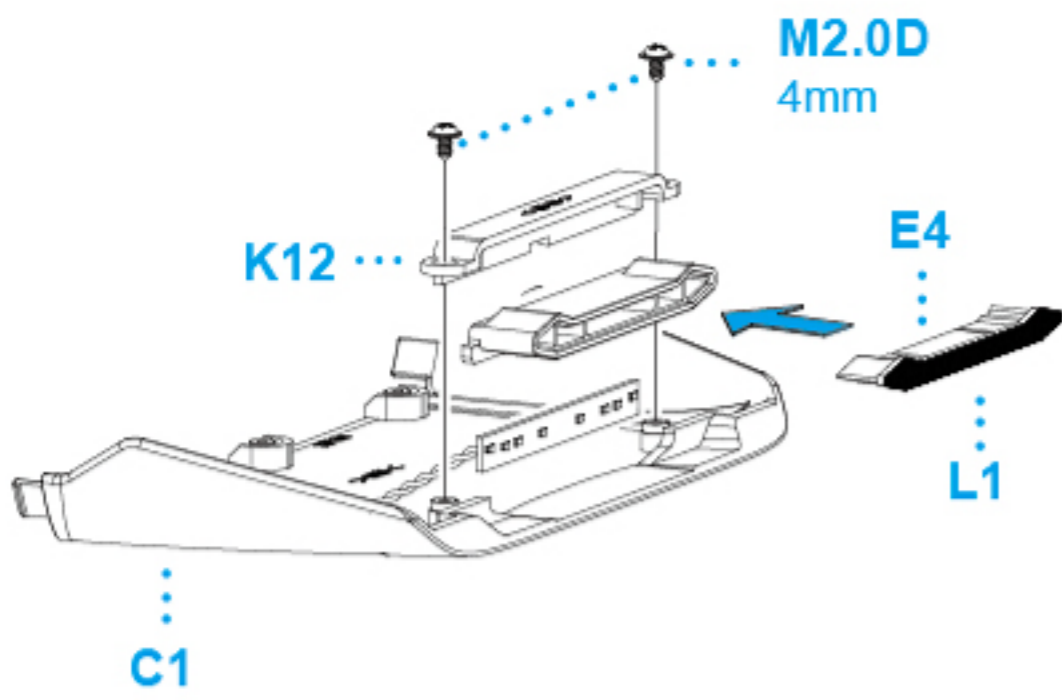


29



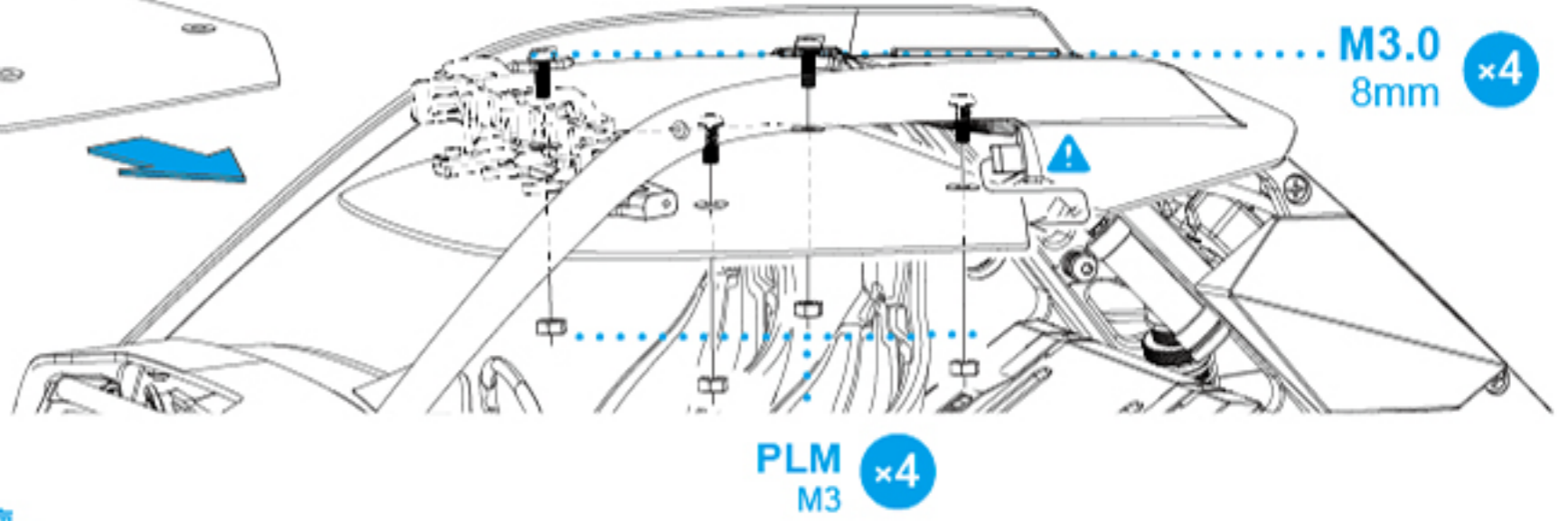
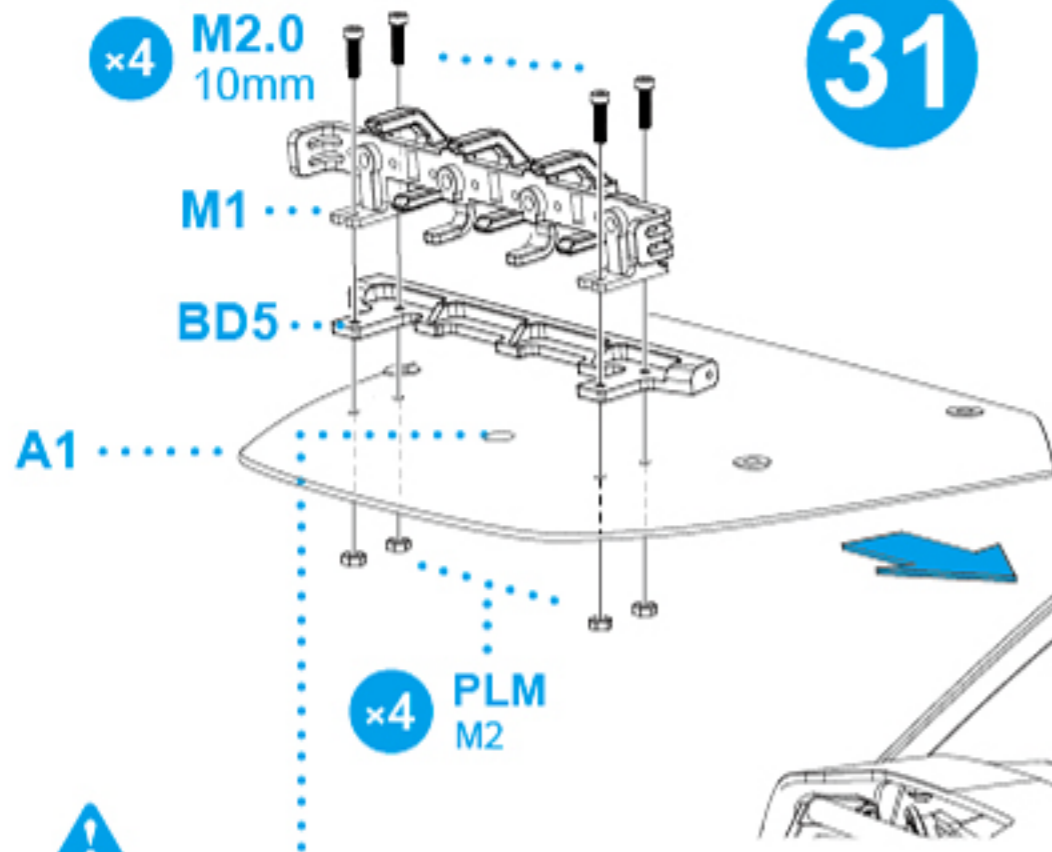
30

PS.....
 使用扎帶來固定負壓筒。
 Secure the piggyback cylinder with zip tie around the shocks properly.



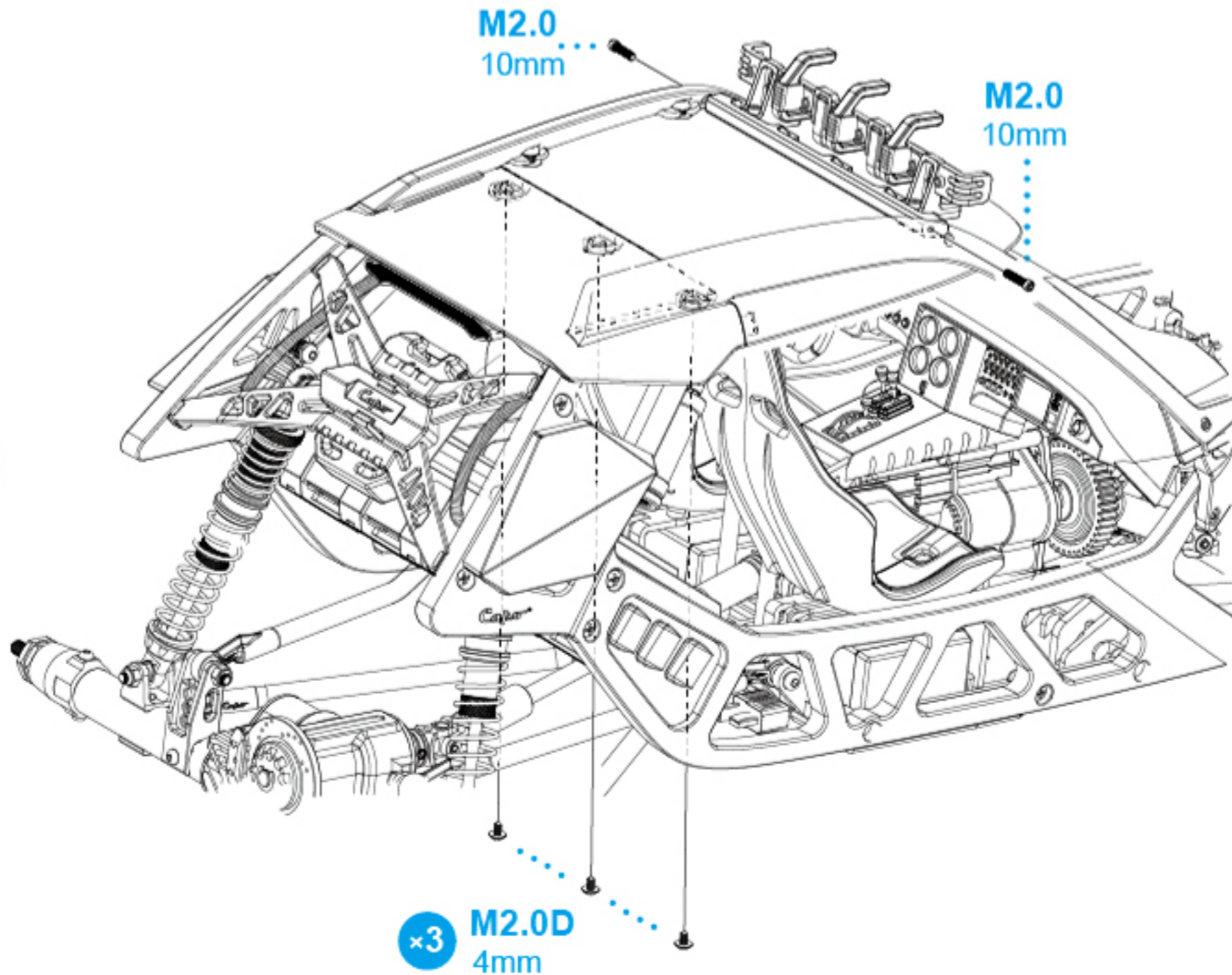
31

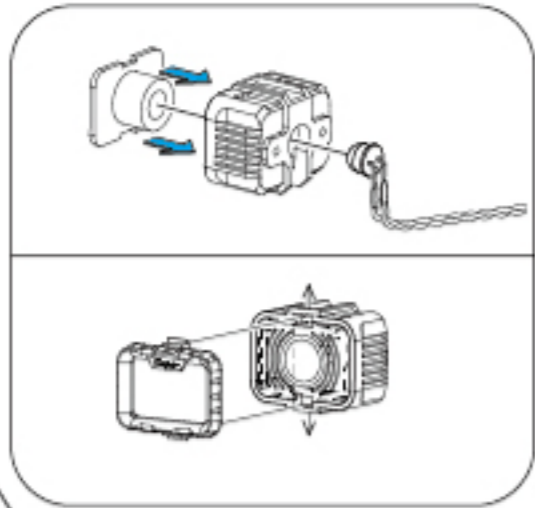
安裝C1時，需要鬆開藍色圓形標誌處的螺絲。
Loose the blue marked screws when installing C1.



⚠ 根據佈線需求打穿。
放棄BD5安裝可能造成意外損壞。
Please find pre-marked hole on the roof.
Damage may be caused if BD5 is not installed.

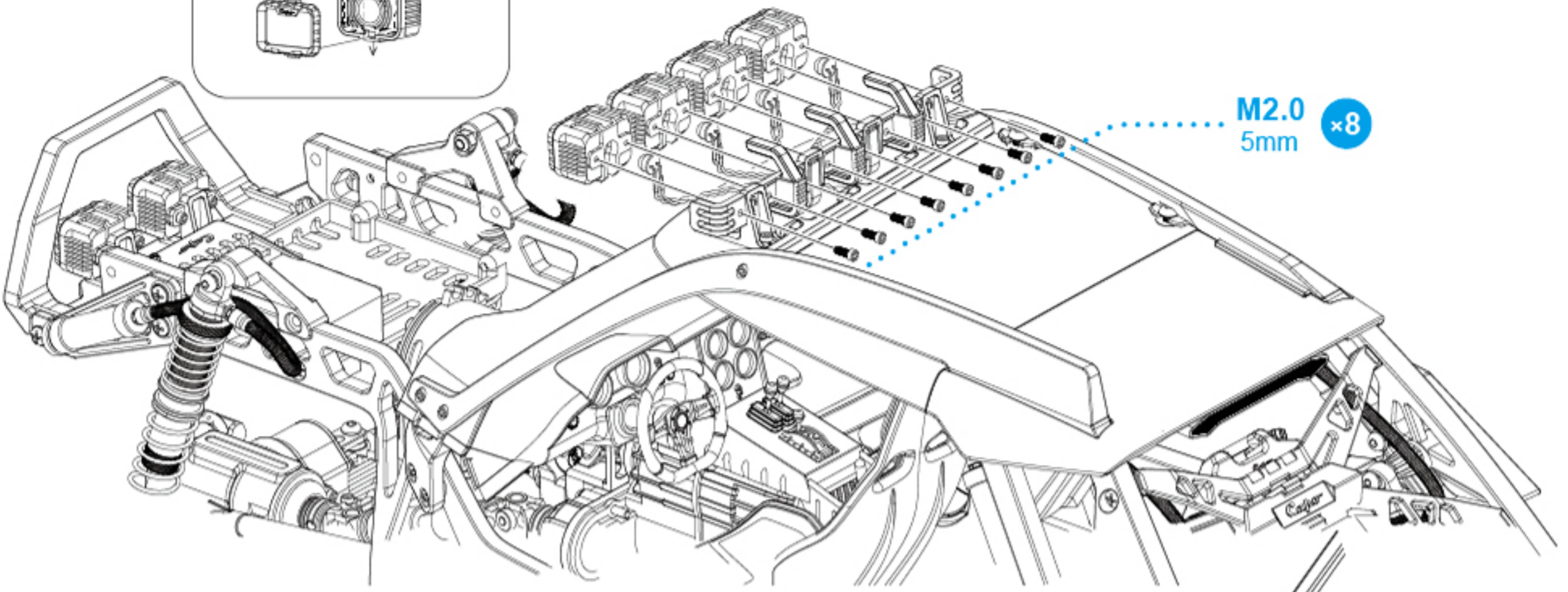
32





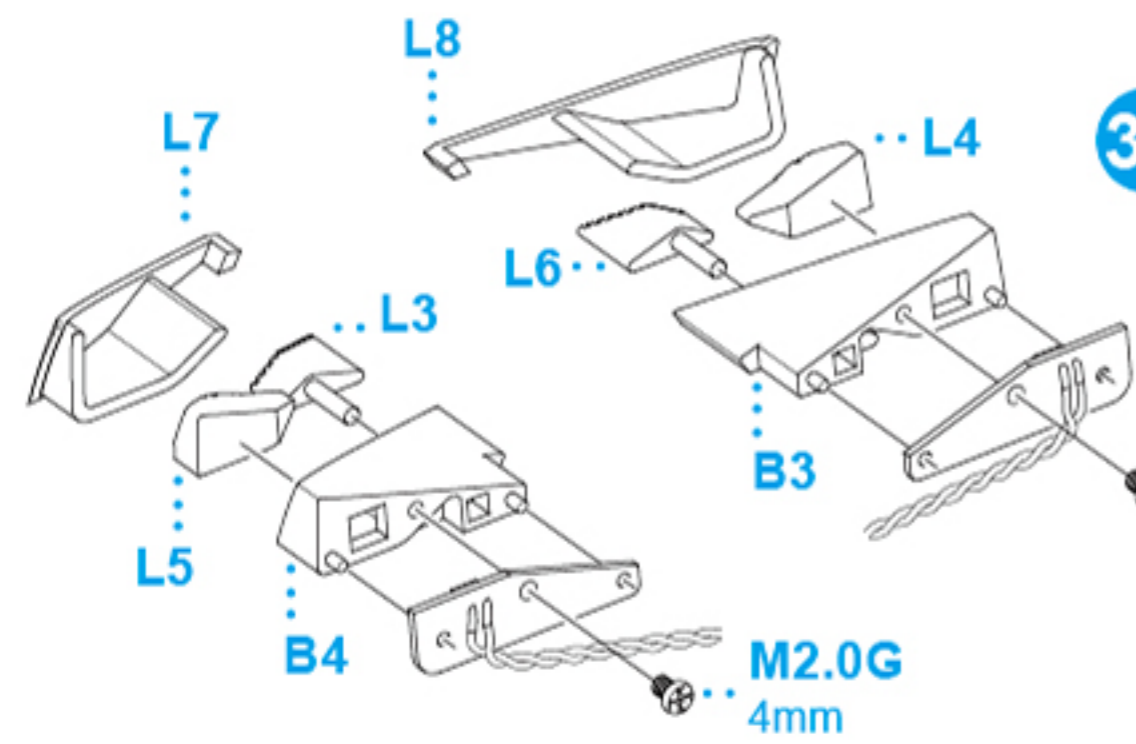
33

PS.....
 燈具組合同12頁 - 23。燈組控制說明見C3頁。
 Same light installation as page 12-23.
 Please find the setup instruction on page C3.

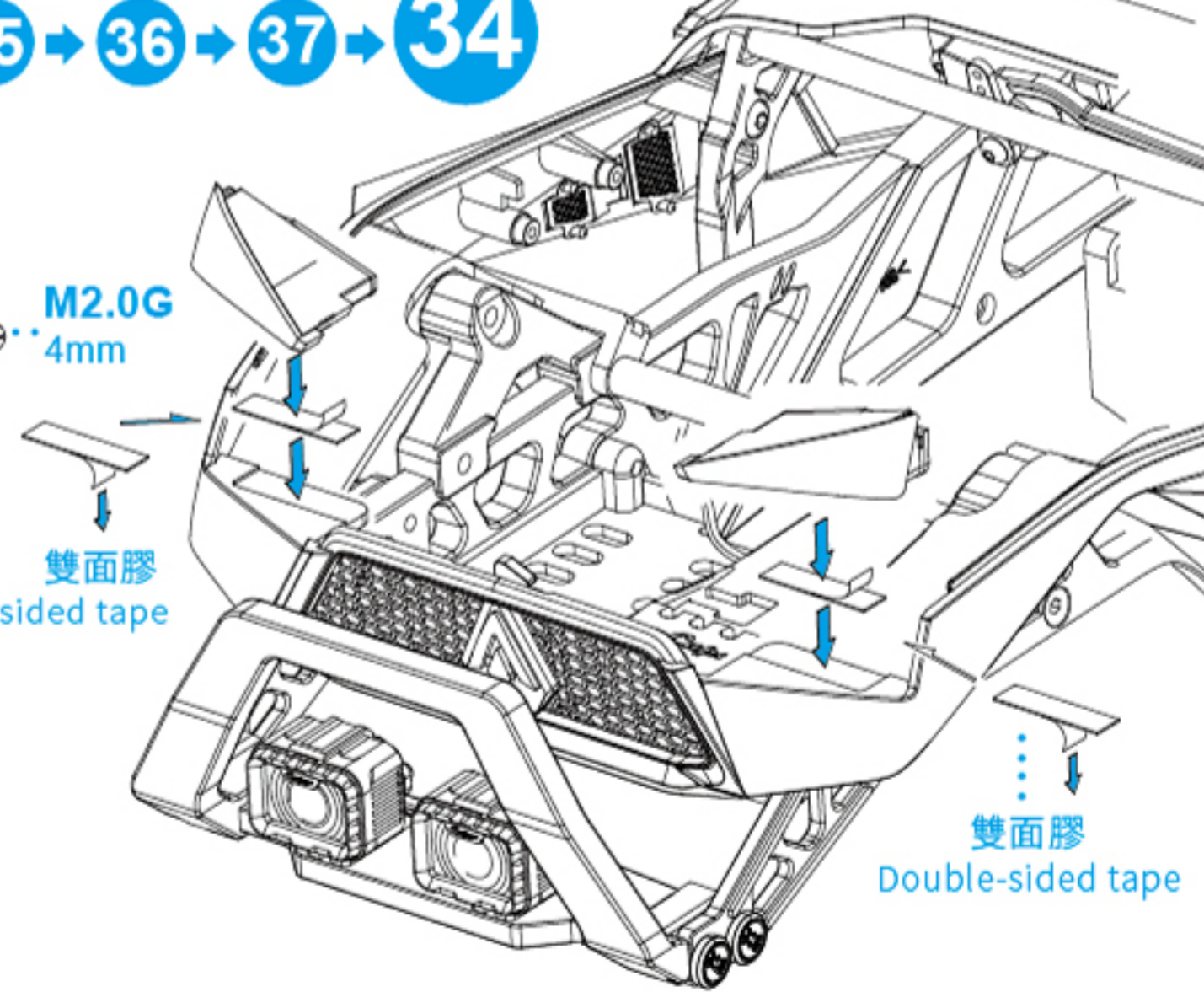


M2.0 5mm x8

35 → 36 → 37 → 34

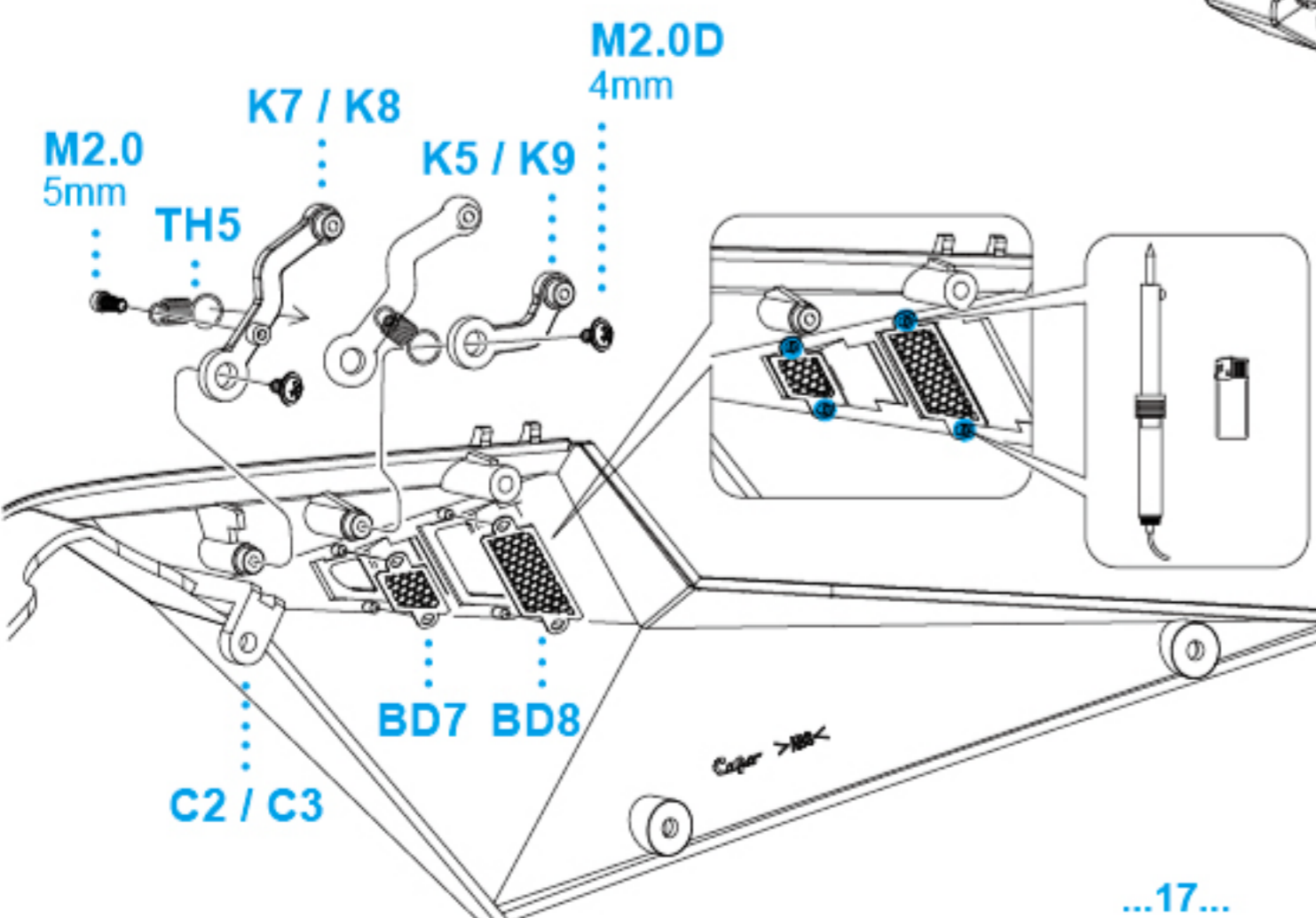


PS.....
 燈組控制說明見C3頁。
 Please find the setup instruction on page C3.



雙面膠
Double-sided tape

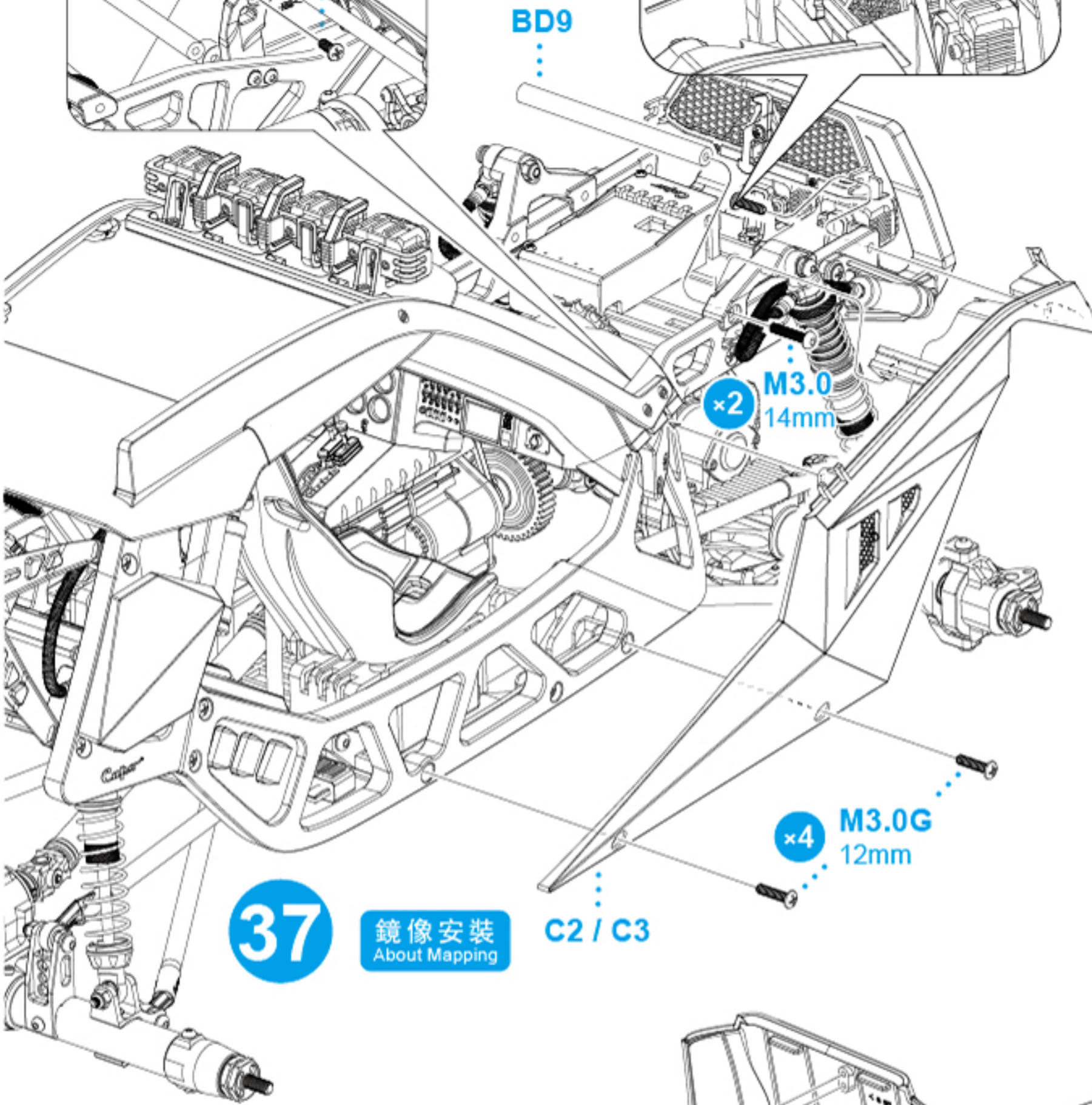
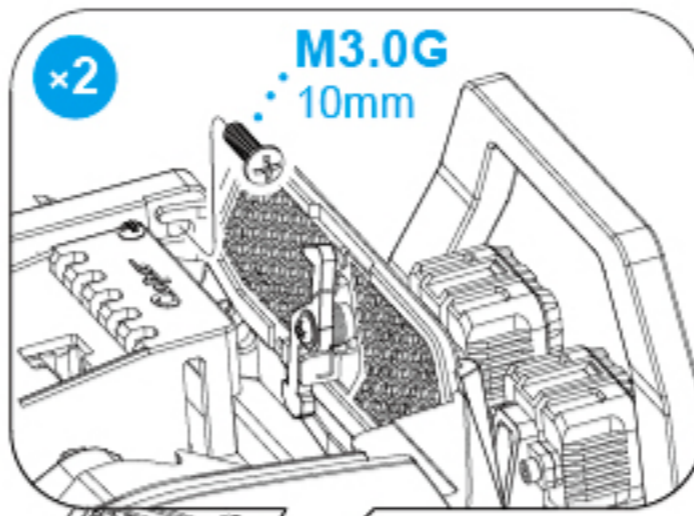
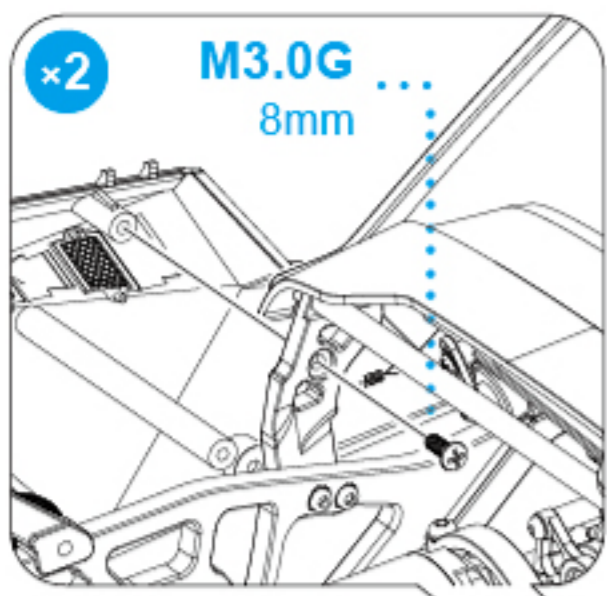
雙面膠
Double-sided tape



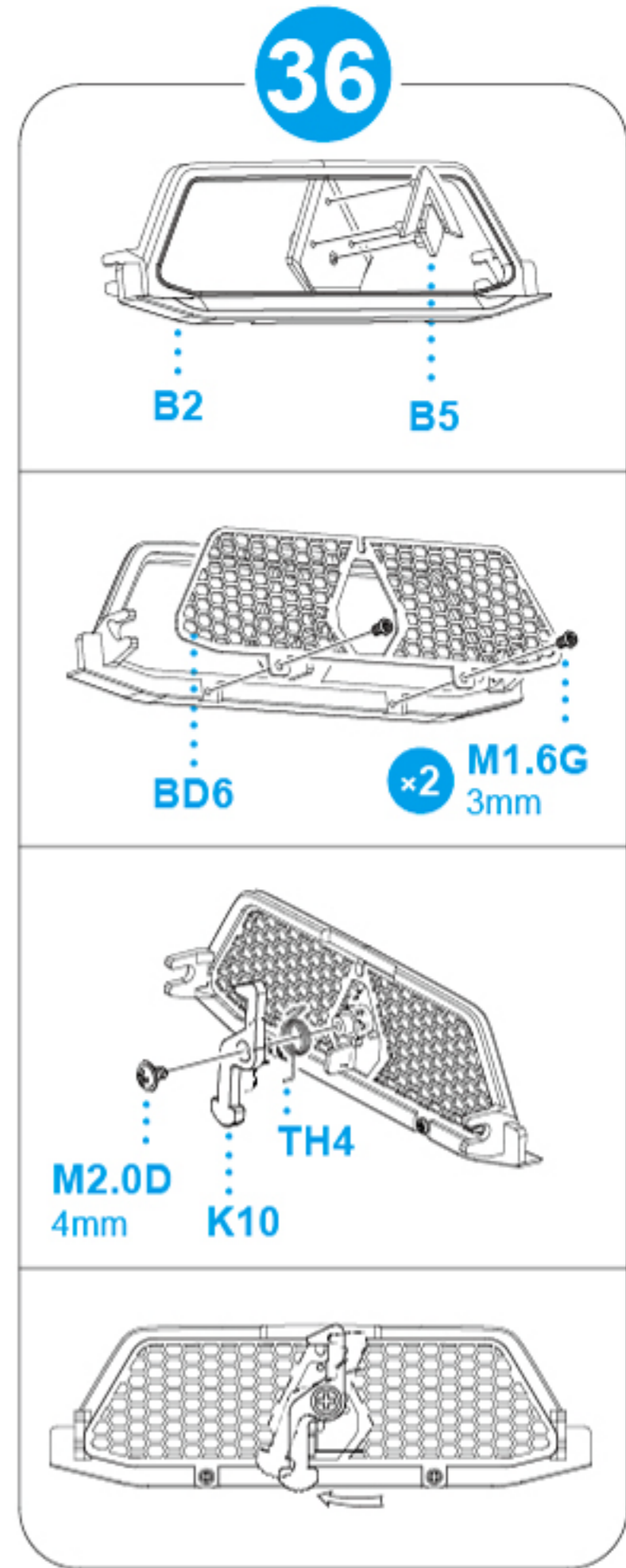
PS.....
 藍色標示的結合點可選擇502膠水，
 或者電烙鐵，打火機高溫燙壓的方式固定。
 The blue spots used when aligning the mesh
 glued by using heated iron to melt those spots
 and secure the mesh.

鏡像安裝
About Mapping

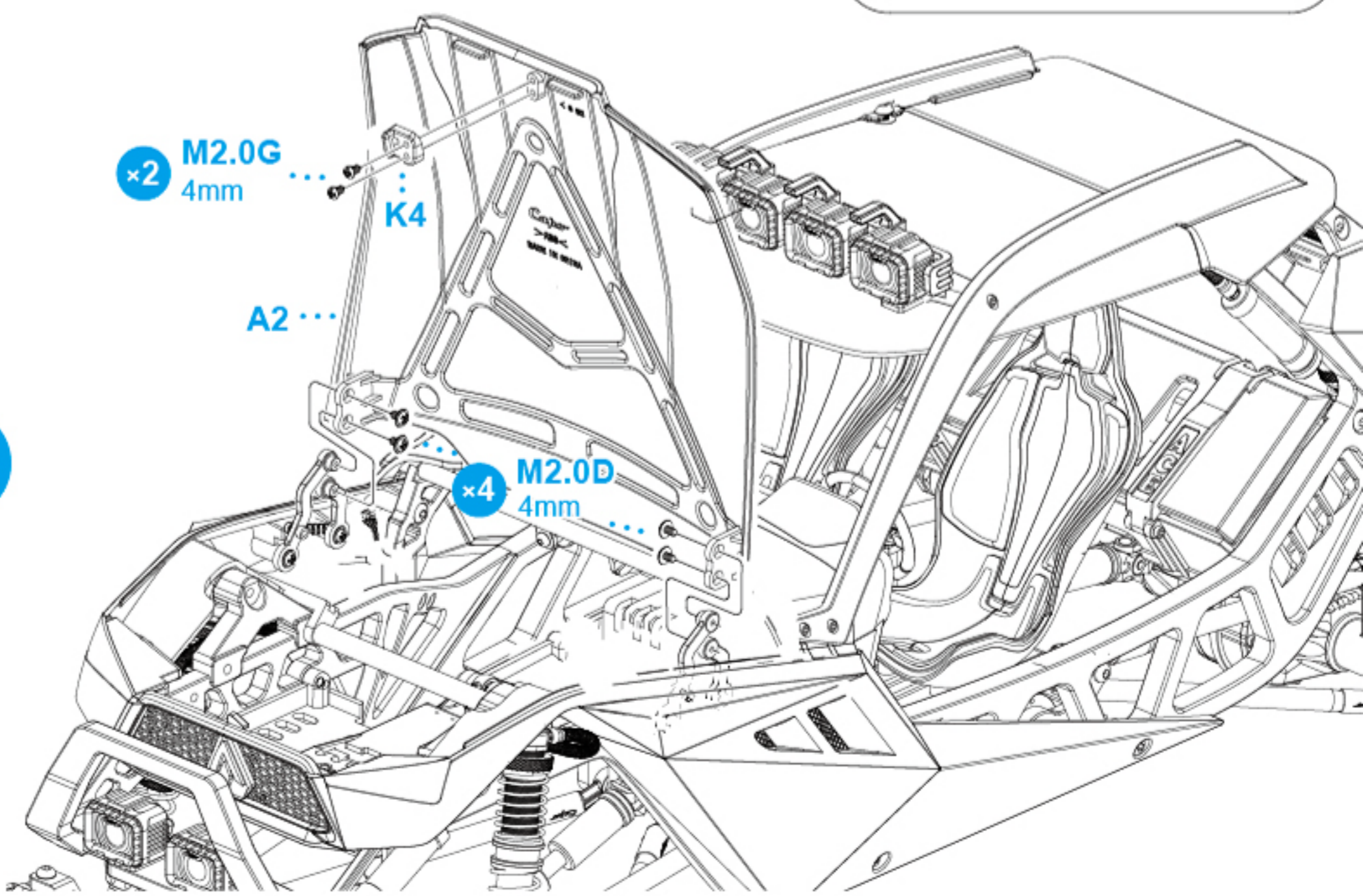
35



37 鏡像安裝
About Mapping



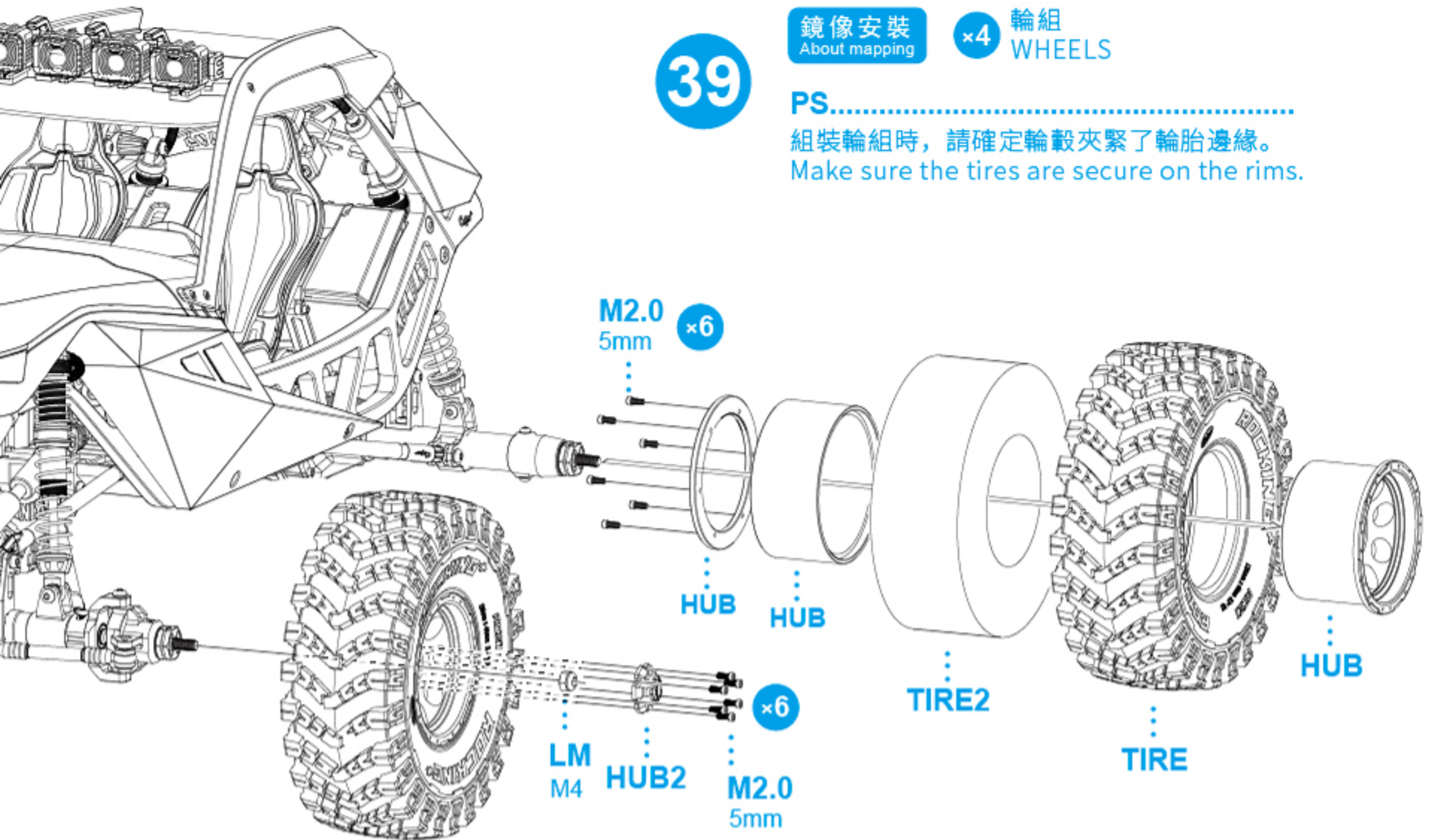
38



39

鏡像安裝
About mapping×4 輪組
WHEELS

PS.....
組裝輪組時，請確定輪轂夾緊了輪胎邊緣。
Make sure the tires are secure on the rims.



FINISH!



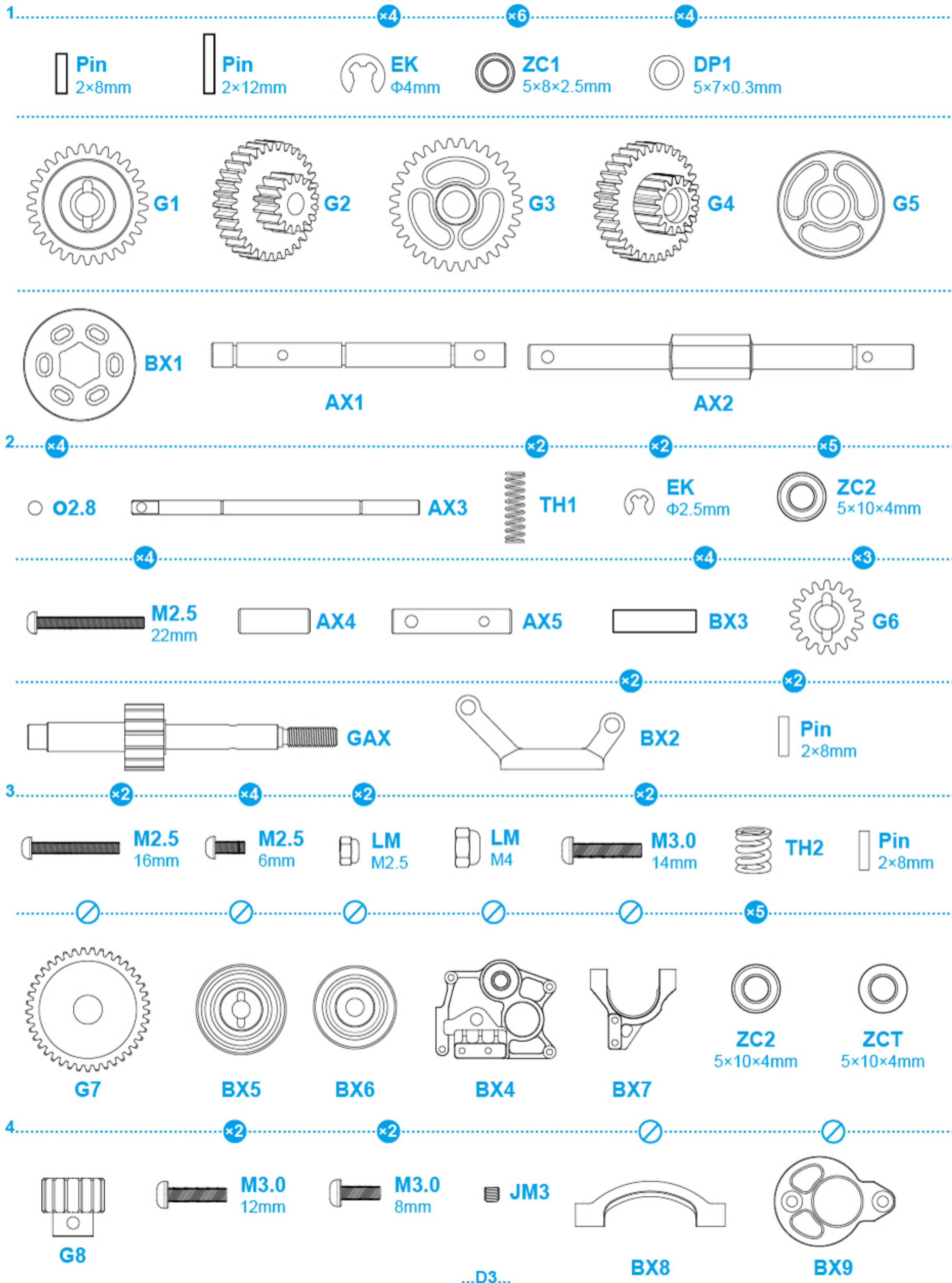
ACE1
1:1 SIZE

1:1 SIZE

組裝時將零件放在對應的圖示中確認尺寸與數量

When assembled, the parts are placed in the corresponding diagram to confirm the size and quantity.

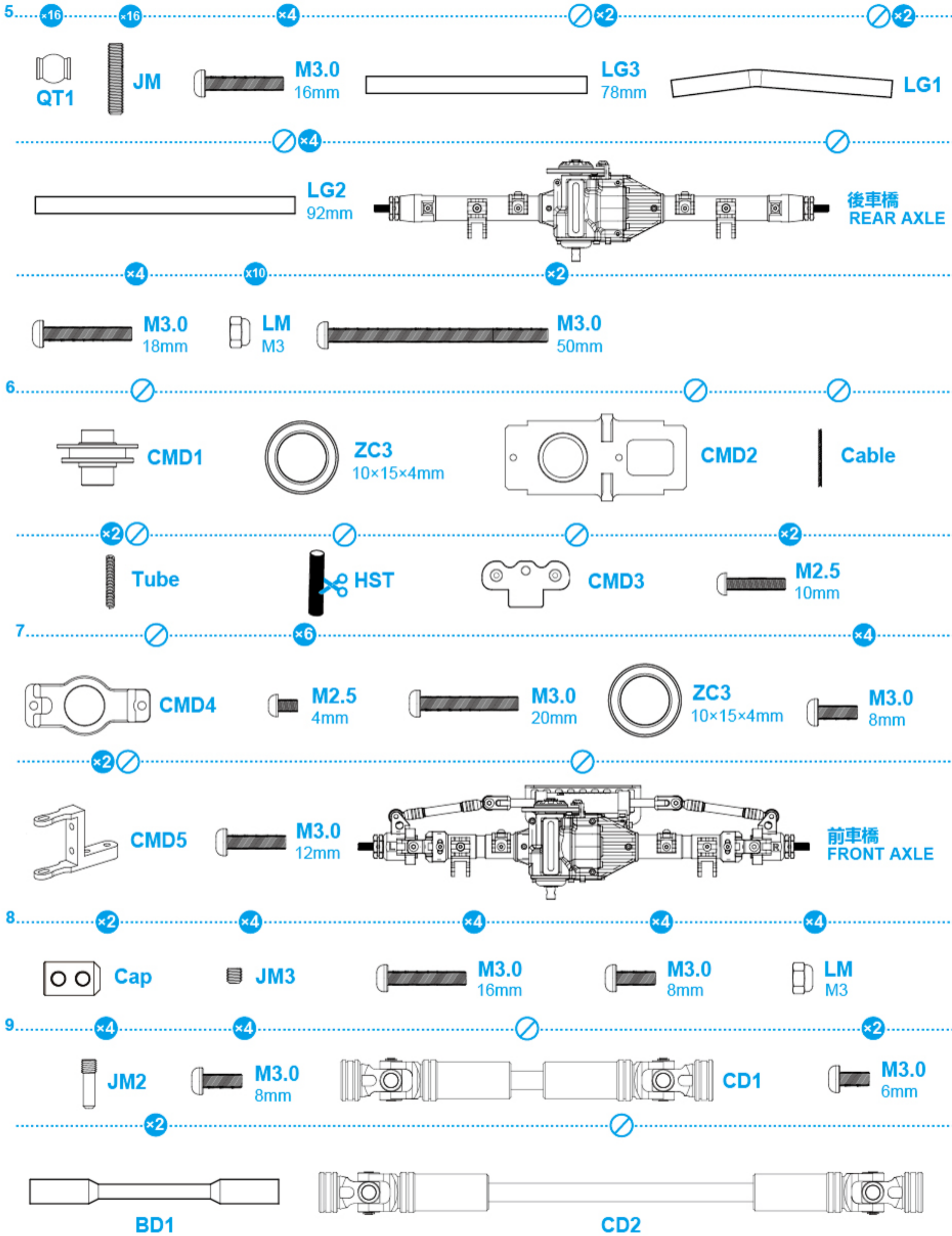
⊘ 非同比例圖示
Non 1:1 scale



1:1 SIZE

組裝時將零件放在對應的圖示中確認尺寸與數量
When assembled, the parts are placed in the corresponding diagram to confirm the size and quantity.

⊘ 非同比例圖示
Non 1:1 scale



...D4...



1:1 SIZE

組裝時將零件放在對應的圖示中確認尺寸與數量
When assembled, the parts are placed in the corresponding diagram to confirm the size and quantity.

⊘ 非同比例圖示
Non 1:1 scale

10. **x2** **M2.0** 8mm **x10** **M3.0** 8mm **x2** **BD2** **x8** **M3.0G** 8mm **x2** **M3.0C** 8mm
11. **x2** **TH3** **x2** **M3.0** 16mm **x2** **DP2** 3×7×0.3mm **x2** **M2.0** 10mm
12. **x4** **M2.0** 8mm **x4** **PLM** M2 **x4** **M2.0** 5mm **x4** **M2.5** 12mm **x8** **M3.0G** 8mm **x2** **M3.0G** 12mm
- x4** **LM** M2.5 **x4** **M3.0G** 10mm **x2** **M3.0G** 6mm **YB1** **YB2**
13. **x3** **M2.0D** 6mm **x6** **M2.0D** 4mm **BD3** **x2** **M2.5** 4mm **x4** **M2.0** 16mm **x2** **PLM** M2 **x3** **DPC** M2
- BD4** **x2** **M2.0** 6mm **x2** **M2.0G** 16mm
14. SHOCKS **x4** **x4** **x4**
- x4** **JM** **M3.0** 30mm **硅膠管** Silicone Tube
15. **x6** **M3.0G** 10mm **x2** **M3.0** 30mm **x2** **M3.0** 6mm **x4** **M3.0** 16mm
- x2** **M3.0** 20mm **x2** **LM** M3

...D5...





1:1 SIZE


組裝時將零件放在對應的圖示中確認尺寸與數量
When assembled, the parts are placed in the corresponding diagram to confirm the size and quantity.

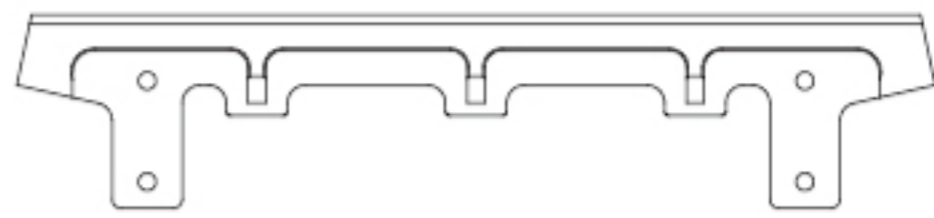
⊘ 非同比例圖示
Non 1:1 scale

16. ×4 ×4 ×4 ⊘


 **M2.0**
8mm


 **PLM**
M2


 **M3.0**
8mm

 **BD5**

×4 ×4 ×2

 **PLM**
M3

 **M2.0D**
4mm

 **M2.0**
10mm

17. ×8 ×2 ×2 ⊘ ×2 ×2

 **M2.0**
5mm


 **M2.0G**
4mm


 **雙面膠**
Double-Sided Tape


 **BD8**


 **BD7**


18. ×2 ×2 ×2 ×4

 **M3.0G**
8mm

 **M3.0G**
10mm

 **M3.0**
14mm

 **M3.0G**
12mm

 **TH4**

⊘ ×2 ×9 ×2

 **BD6**

 **M1.6G**
3mm

 **M2.0D**
4mm

 **TH5**

×2 ×2

 **M2.0**
5mm

 **M2.0G**
4mm

 **BD9**

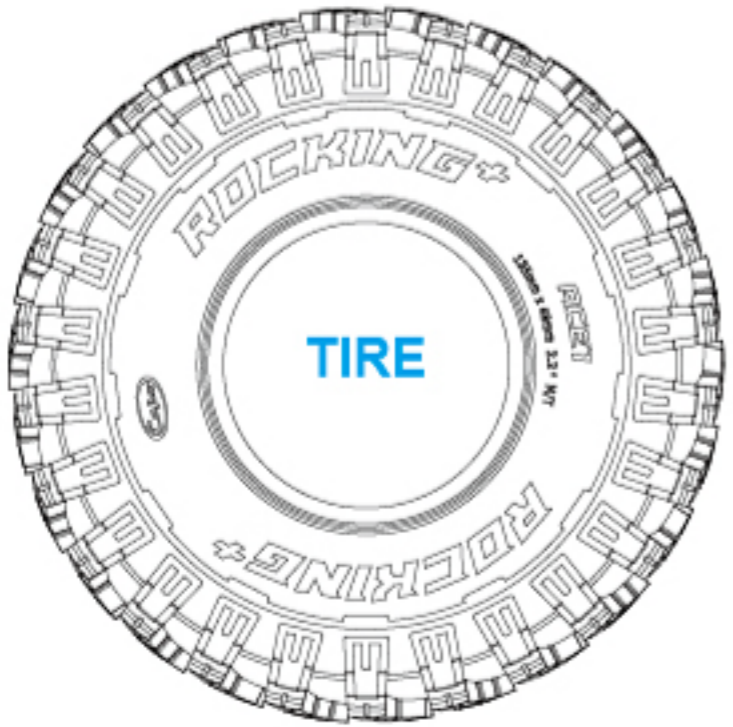
19. ×48 ×4 ×4 ⊘


 **M2.0**
5mm


 **LM**
M4

 **HUB2**

×4 ⊘ ×4 ⊘ ×4 ⊘

 **TIRE**

 **TIRE2**

 **HUB**

1:1SIZE共計四頁，裝配步驟中出現之塑膠件另見D1-D2頁。
1:1SIZE(4 PAGES) Please read the plastic parts set instructions on page D1-D2.



Capo[®]